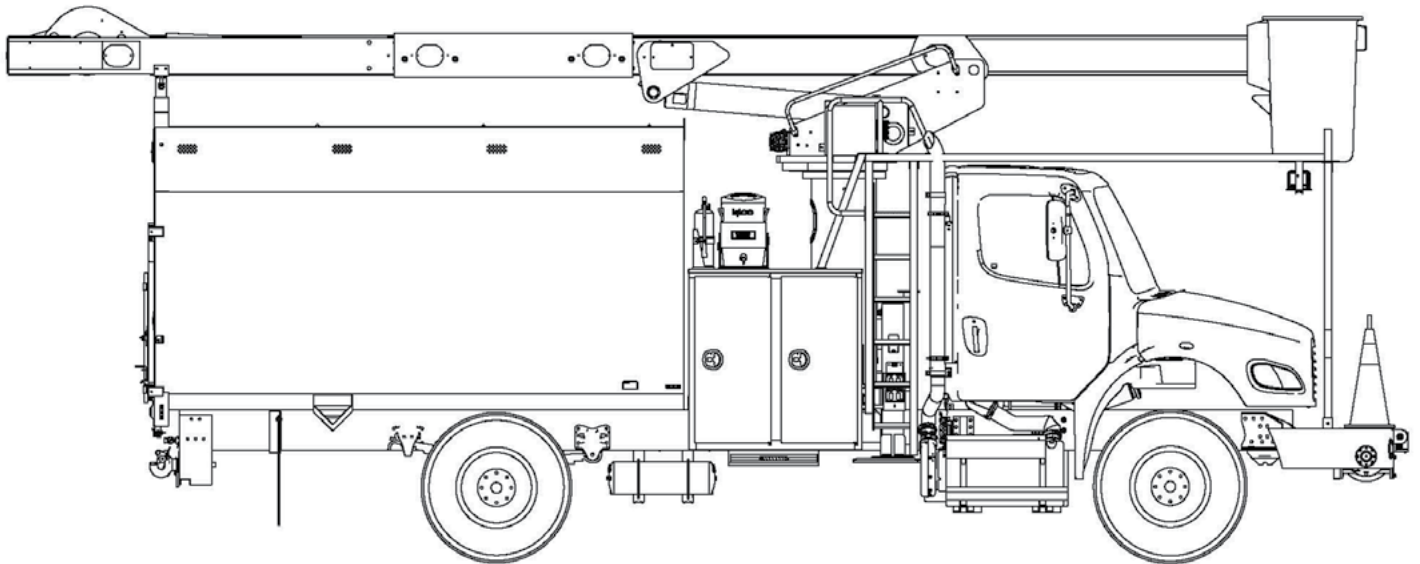




TECH TIPS

PTO LIGHT IS FLASHING

NO. 102



SERVICE CALL:
PTO LIGHT IS FLASHING



MODEL(S):
ALL TEREX UTILITIES EQUIPMENT
WITH A PTO INSTALLED



TOOLS NEEDED:
A SHORT PIECE OF WIRE TO USE
AS A JUMPER

TEREX UTILITIES TECHNICAL SUPPORT TEAM

PHONE: 1-844-TEREX4U (1-844-837-3948) | EMAIL: UTILITIES.SERVICE@TEREX.COM



DANGER

Failure to obey the instructions and safety rules in the appropriate Operator's Manual and Service Manual for your machine will result in death or serious injury.

Many of the hazards identified in the Operator's Manual are also safety hazards when maintenance and repair procedures are performed.

DO NOT PERFORM MAINTENANCE UNLESS:

- ✓ You are trained and qualified to perform maintenance on this machine.
- ✓ You read, understand and obey:
 - manufacturer's instructions and safety rules
 - employer's safety rules and worksite regulations
 - applicable governmental regulations
- ✓ You have the appropriate tools, lifting equipment and a suitable workshop.

The information contained in this Tech Tip is a supplement to the Service Manual. Consult the appropriate Service Manual of your machine for safety rules and hazards.



TECH TIP 102 | RELEASED 04.18.2023 | VERSION 1.0
©TEREX UTILITIES. ALL RIGHTS RESERVED

CONTENTS

TECH TIP #102

TOC

4

| Disengage the PTO

| Locate the pressure switch

INTRODUCTION
STEP 1 - STEP 2

5

| Connect jumper wire

STEP 3 - STEP 4

INTRODUCTION

When the Power Take Off (PTO) switch is turned ON, 12 volts is sent to the PTO solenoid to engage the PTO. This sends transmission pressure to the PTO to engage. When pressure is sensed, the PTO pressure switch sends a signal (usually ground signal), to the chassis controller indicating that the PTO is engaged.

When the signal is received, the PTO light will turn ON. If the chassis controller does not receive the signal, then the PTO light will flash to indicate it is not engaged.

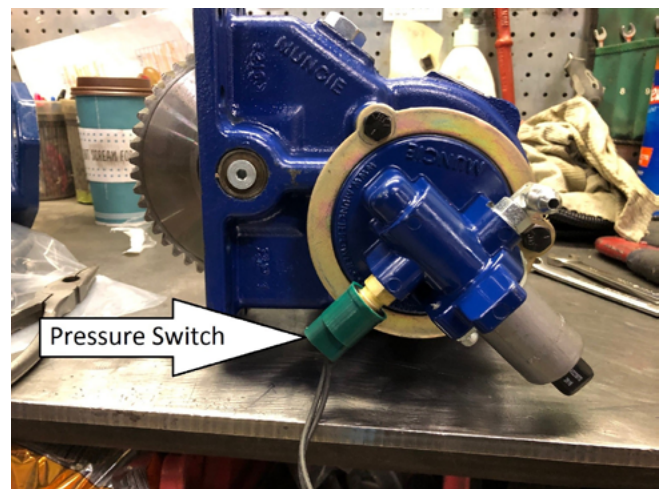
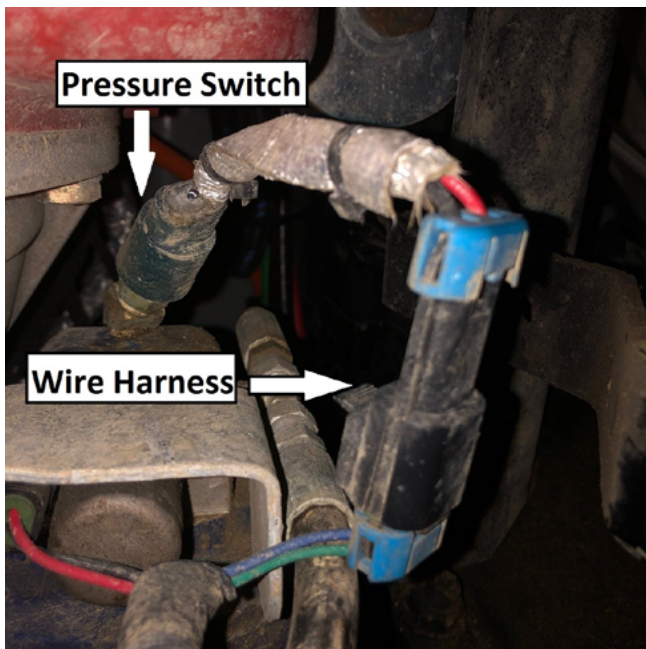
If the PTO light is flashing and the unit does not operate, but you can hear that the PTO is engaged, a typical cause is a bad PTO pressure switch.

STEP 1

Disengage the PTO and/or Master Power, then turn the engine off.

STEP 2

Locate the pressure switch on the PTO.



STEP 3

Disconnect the 2-wire harness going to the PTO pressure switch and place a jumper wire between the 2 wires on the chassis side of the plug.

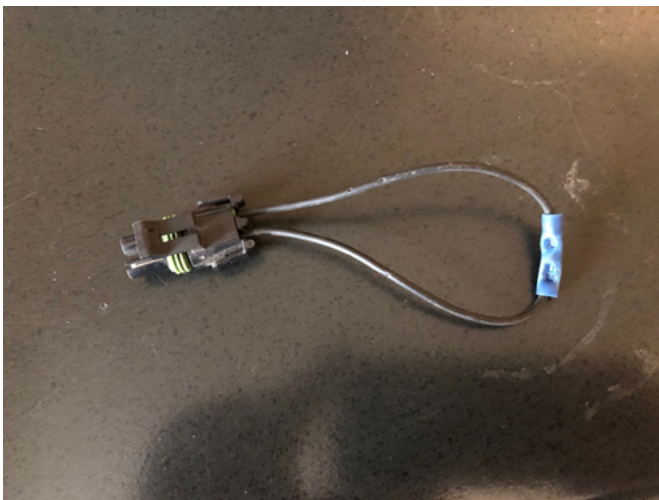


STEP 4

Start engine and engage the PTO, if the light comes ON and stays solid, replace the PTO pressure switch.



Note: If the pressure switch must be replaced, take the old switch and cut the wires off and butt connect them together with a jumper wire for future troubleshooting.



Note: Can view 4 system uses a yellow light to show no signal from pressure switch.



Green LED light means all conditions are met





FOR FURTHER ASSISTANCE,
CONTACT THE TEREX UTILITIES TECHNICAL SUPPORT TEAM
PHONE: **1-844-TEREX4U (1-844-837-3948)** | EMAIL: [**UTILITIES.SERVICE@TEREX.COM**](mailto:UTILITIES.SERVICE@TEREX.COM)
