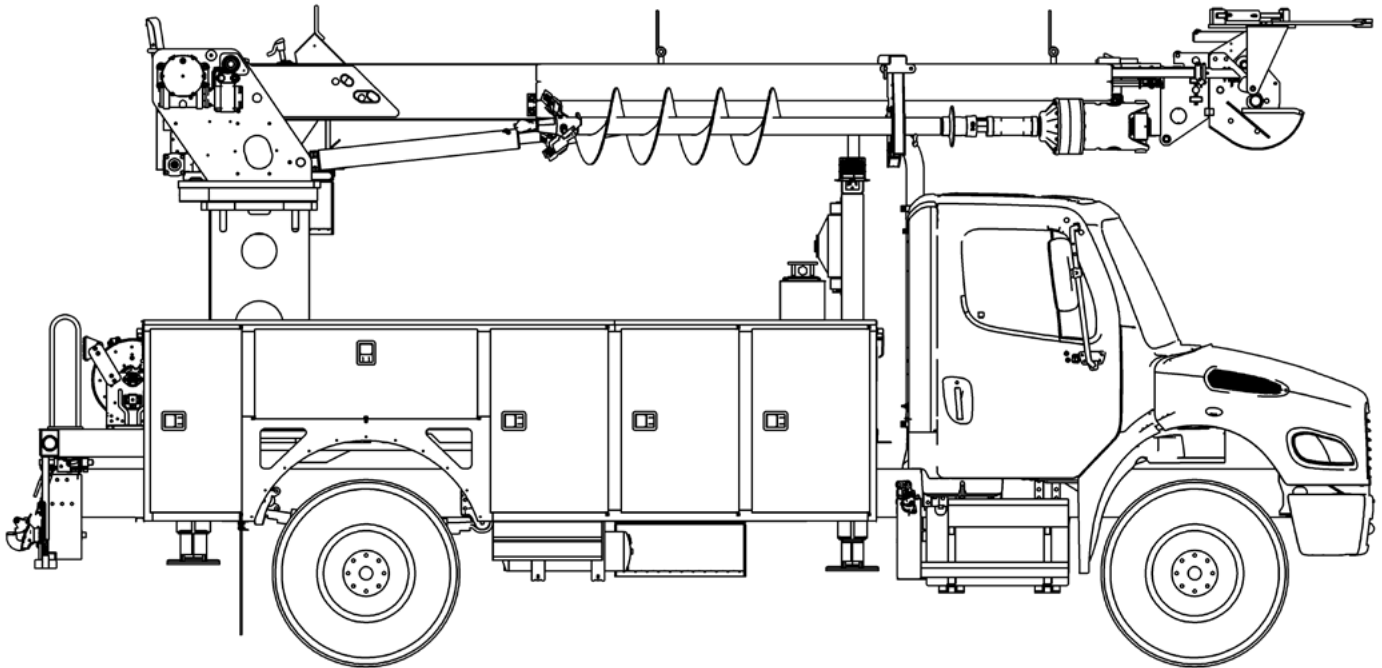




# TECH TIPS

DIGGER DERRICK HYDRAULIC OIL SPECIFICATIONS

NO. 112



**SERVICE CALL:**  
DIGGER DERRICK HYDRAULIC OIL  
SPECIFICATIONS



**MODEL(S):**  
ALL PAST AND CURRENT  
PRODUCTION TEREX UTILITIES  
DIGGER DERRICKS




**TOOLS NEEDED:**  
UNIT SPECIFIC MAINTENANCE  
MANUAL


TEREX UTILITIES TECHNICAL SUPPORT TEAM

PHONE: 1-844-TEREX4U (1-844-837-3948) | EMAIL: [UTILITIES.SERVICE@TEREX.COM](mailto:UTILITIES.SERVICE@TEREX.COM)

**! WARNING**



**Injection Hazard**  
Fluid escaping under pressure can penetrate skin and result in death or serious injury.



Relieve pressure before disconnecting hydraulic lines.  
Stay clear of leaks and pin holes. Use a piece of cardboard or wood to search for leaks. Do not use hand.  
Fluid injected into skin must be surgically removed within a few hours by a doctor familiar with this type of injury, or gangrene will result.



## DANGER

Failure to obey the instructions and safety rules in the appropriate Operator's Manual and Service Manual for your machine will result in death or serious injury.

Many of the hazards identified in the Operator's Manual are also safety hazards when maintenance and repair procedures are performed.

## DO NOT PERFORM MAINTENANCE UNLESS:

- ✓ You are trained and qualified to perform maintenance on this machine.
- ✓ You read, understand and obey:
  - manufacturer's instructions and safety rules
  - employer's safety rules and worksite regulations
  - applicable governmental regulations
- ✓ You have the appropriate tools, lifting equipment and a suitable workshop.

The information contained in this Tech Tip is a supplement to the Service Manual. Consult the appropriate Service Manual of your machine for safety rules and hazards.



TECH TIP 112 | RELEASED 04.20.2023 | VERSION 1.0

©TEREX UTILITIES. ALL RIGHTS RESERVED

# CONTENTS

## TECH TIP#112

4

| *Hydraulic Oil Specifications*

**INTRODUCTION**  
**STEP 1 - STEP 2**

5

| *Maintenance Manual*

| *Kitsheets*

**STEP 3**

6

| *Oil Selection and Low Temperatures*

| *Symptoms of Incorrect Oil Type*

| *Consequences of Incorrect Oil Type*

7

**APPENDIX A**

# INTRODUCTION

## HYDRAULIC OIL SPECIFICATIONS

### HYDRAULIC SYSTEM

Your hydraulic system has been engineered to give many years of useful service. A few simple rules and maintenance procedures are necessary to ensure efficient operation.

Hydraulic oil for your Digger Derrick must meet the following requirements listed below.

1. A petroleum based oil.
2. Anti-wear additives to ensure the long life of the hydraulic components.
3. Anti-foam additives to minimize air entrapment.
4. Good chemical stability at anticipated operating temperatures.
5. A flash point above anticipated operating temperatures.
6. Good demulsibility or water separation characteristics.
7. Dielectric strength.

## STEP 1

There are 2 possible ways to find and determine the proper hydraulic oil to use on a Digger Derrick. They are outlined in steps 2, 3, and 4 below. Always use the unit specific maintenance manual for the unit being repaired.

## STEP 2

Look up correct hydraulic oil type in Quick Reference section at start of the unit specific maintenance manual. In this case, two types of oil are listed: **ISO 15** and **MIL H 5606**.

<b>SECTION 205</b> .....	<b>.205 - 1</b>
<b>GENERAL HYDRAULIC SYSTEM MAINTENANCE</b> .....	<b>.205 - 1</b>
RETURN LINE FILTER REPLACEMENT .....	.205 - 2
TANK, BREATHER, FILLER AND OUTLET SCREENS .....	.205 - 3
CLEANLINESS .....	.205 - 3
HYDRAULIC TANK .....	.205 - 3
BREATHER .....	.205 - 3
HYDRAULIC TANK FILLER SCREEN .....	.205 - 4
HYDRAULIC TANK OUTLET SUCTION SCREEN FOR PUMP .....	.205 - 4
HYDRAULIC OIL SPECIFICATIONS .....	.205 - 5
HYDRAULIC SYSTEM .....	.205 - 5
OIL TYPE .....	.205 - 5
OPERATING TEMPERATURES .....	.205 - 6
VISCOSITY .....	.205 - 6
VISCOSITY INDEX .....	.205 - 6
ADDITIVES .....	.205 - 6
POUR POINT .....	.205 - 6
DIELECTRIC STRENGTH .....	.205 - 6
OIL STORAGE AND HANDLING .....	.205 - 7
GENERAL .....	.205 - 7



### STEP 3

There are 2 possible ways to find and determine the proper hydraulic oil to use on a Digger Derrick. They are outlined in steps 2, 3, and 4 below. Always use the unit specific maintenance manual for the unit being repaired.

Technical specifications of the correct type of oil to use can be found under “Oil Type”.

HYDRAULIC OIL SPECIFICATIONS ..... 205 - 5  
 HYDRAULIC SYSTEM ..... 205 - 5  
 OIL TYPE. ← ..... 205 - 5  
 OPERATING TEMPERATURES ..... 205 - 6  
 VISCOSITY ..... 205 - 6  
 VISCOSITY INDEX ..... 205 - 6  
 ADDITIVES ..... 205 - 6  
 POUR POINT ..... 205 - 6  
 DIELECTRIC STRENGTH ..... 205 - 6

#### OIL TYPE

Oil used in the hydraulic system performs the dual function of lubrication and transmission of power. Oil must be selected with care and with the assistance of a reputable supplier.

Terex South Dakota, Inc. does not guarantee the quality or characteristics of any hydraulic oil for usage. A reputable distributor or supplier should be consulted in any hydraulic oil application. Mixing different oils or additives must be done only by the supplier. Serious damage to a hydraulic system can result from mixing incompatible hydraulic oils or additives.



**Contaminated fluid may cause damage to the pump and/or control valve. Before adding fluid to the system, be sure the fluid has been filtered through a 10-micron (absolute), or less, filter.**

AMBIENT TEMP RANGE MIN. TO MAX.	ISO VISCOSITY GRADE	VISCOSITY INDEX
-40° To 120° F (-40° To 49° C)	15	140
32° To 120° F (0° To 49° C)	22	140

**NOTE:** Use 15 ISO max when equipped with top controls/radio controls.

### STEP 4

In the kit-sheets (parts section of manual or using online access-See tech Tip #50) under Final Assembly section is “Oil, Hydraulic, ISO 15” as an example. To the left of the description is our part number 419419. This kit-sheet will list the oil specifications. It will also list oils by manufacturer that meet specification.

Example from a C6000 series unit:

0465917	<u>FINAL ASSY.CTR.C6000</u>
0060099	<u>NYL ROPE LUG KIT (S/L)</u>
0419419	<u>OIL.HYDRAULIC.ISO 15</u> ←
0420161	<u>WARNING DECALS(RP USE 0424748P)</u>
0424748	<u>DECAL KIT (R/P USE 0424748P)</u>
0424749	<u>DECAL INSTALL INSTRUCTION</u>
0444443	<u>LOGO KIT (S/L) COMMANDER</u>
0444681	<u>LOGO INSTALL.DD</u>
0463277	<u>MAINTENANCE MANUAL. DIGGER DERRICK</u>
0463280	<u>OPERATORS MANUAL. DIGGER DERRICK</u>
0472262	<u>LEVEL INDICATOR.DD(S/L)</u>
0486277	<u>SLOPE INDICATOR</u>
0486451	<u>LEVEL INDICATOR INSTALL.DD</u>
0496291	<u>TEMPORARY CAP KIT</u>
0498829	<u>HAND SIGNAL CHART.(S/L)</u>
0498828	<u>INSTALL OSHA HAND SIGNAL CHART</u>

## OIL SELECTION AND LOW TEMPERATURES

The pour point listed in a manufacturer's specifications must be lower than the anticipated ambient temperature or the hydraulic system will need to be heated.

## SYMPTOMS OF INCORRECT OIL TYPE

During cold weather:

1. Slow, sluggish, or loss of performance
2. Increased noise from pump
3. Inconsistent pressure adjustments

During hot weather:

1. Increase in oil leaks
2. Increased noise from pump
3. Increase in oil temperature
4. Slow, sluggish, or loss of performance

## CONSEQUENCES OF INCORRECT OIL TYPE

During cold weather:

1. Cavitation of pump.
2. Decreased lifespan of pump.
3. Increased contamination passed through system components.

During hot weather:

1. Inadequate lubrication of pump.
2. Decreased lifespan of pump.
3. Increased contamination passed through system components.

# APPENDIX: A

## OIL HYDRAULIC - ISO 15 SPECIFICATIONS

- 1) ISO VG RATING - 15
- 2) MINIMUM FLASH POINT - 280° F
- 3) MINIMUM POUR POINT - -40° F
- 4) MINIMUM V.I - 140
- 5) TYPICAL VISCOSITY RATING @ 100° F - (70 - 90 SUS)
- 6) TYPICAL VISCOSITY RATING @ 210° F - (39 - 43 SUS)
- 7) TYPICAL VISCOSITY RATING @ 0° F - (600 - 1300 SUS)
- 8) MINIMUM DIELECTRIC STRENGTH - 25 KV
- 9) TYPICAL API, GRAVITY RATING - (26 - 31)
- 10) DOES NOT REQUIRE CHARACTERISTICS OR RATING O.C. MIL. SPEC. 5606A.

## SUGGESTED SUPPLIERS

- 1) MOBIL DTE - 11M
- 2) EXXON UNIVIS N15
- 3) TEXACO RANDO HDZ - 15HVI
- 4) PENZOIL AWX ARTIC 15
- 5) TEXACO RANDO POLAR ICE
- 6) KENDALL GLACIAL BLUE
- 7) NORTHLAND TALAMAR EXTREME LTT
- 8) AMERICAN SYNTHOL INC AMERILUBE PGHD 15 XLT
- 9) PETRO-CANADA HYDREX MV ARCTIC

## ISO 15 OIL SPECIFICATION





OIL, HYDRAULIC - LOW TEMP

DATE:  
6/17/10

ECN#  
55973

436396 D

## OIL, HYDRAULIC - LOW TEMP SPECIFICATIONS

- 1) SIMILAR CHARACTERISTICS TO MIL. SPEC. 5606A
- 2) NOT REQUIRED TO MEET MIL. SPEC. 5606A.
- 3) MINIMUM FLASH POINT - 200° F
- 4) MINIMUM POUR POINT - -65° F OR LESS.
- 5) MINIMUM V.I. - 200.
- 6) TYPICAL VISCOSITY RATING @ 100° F - (70-90 SUS)
- 7) TYPICAL VISCOSITY RATING @ 210° F - (38-43 SUS)
- 8) MAXIMUM VISCOSITY RATING @ 0° F - (550 SUS)
- 9) TYPICAL API, GRAVITY RATING - (28-33)
- 10) MINIMUM DIELECTRIC STRENGTH - 25 KV

## SUGGESTED SUPPLIERS

- 1) MOBIL AERO HFA(5606A RATED)
- 2) EXXON UNIVIS J-13(5606A RATED)
- 3) TEXACO AIRCRAFT HYD OIL #15(5606A RATED)
- 4) NORTHLAND GULFSTREAM AGHF
- 5) SHELL AERO SHELL #4(5606A RATED)
- 6) CHEVRON AVIATION HYD A(5606A RATED)  
- AVIATION HYD C(5606A RATED)
- 7) BENZOIL HVI15
- 8) BP ENERGOL - SHF-LT15
- 9) PETRO-CANADA HYDREX MV. ARCTIC

\* SEE SEPARATE ASSEMBLY SHEET PAGE 1 OF 1

(NS)=NOT SHOWN

**MIL-5606A SPECIFICATION**





FOR FURTHER ASSISTANCE,  
CONTACT THE TEREX UTILITIES TECHNICAL SUPPORT TEAM  
PHONE: **1-844-TEREX4U (1-844-837-3948)** | EMAIL: **[UTILITIES.SERVICE@TEREX.COM](mailto:UTILITIES.SERVICE@TEREX.COM)**

---