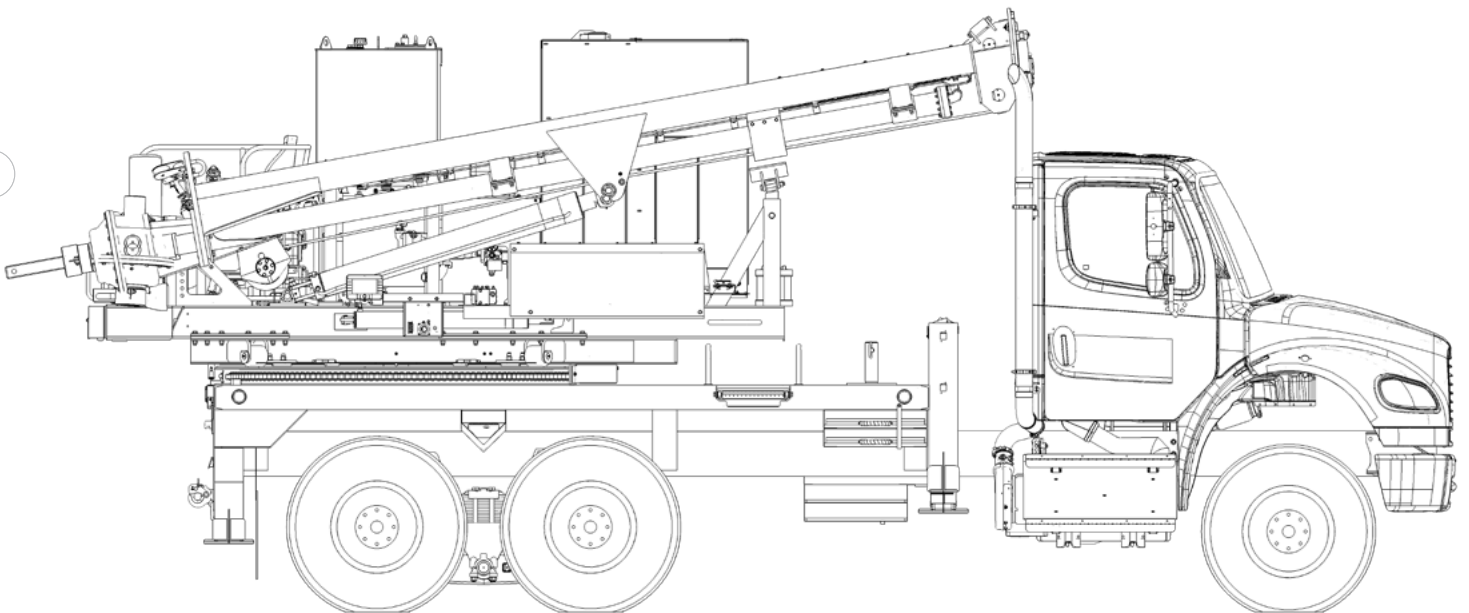




TECH TIPS

AUGER DRILL HYDRAULIC OIL SPECIFICATIONS

NO. 113



**SERVICE CALL:
AUGER DRILL HYDRAULIC OIL
SPECIFICATIONS**



**MODEL(S):
ALL TEREX AUGER DRILLS**




**TOOLS NEEDED:
UNIT SPECIFIC MAINTENANCE
MANUAL**


TEREX UTILITIES TECHNICAL SUPPORT TEAM

PHONE: 1-844-TEREX4U (1-844-837-3948) | EMAIL: UTILITIES.SERVICE@TEREX.COM

! WARNING



Injection Hazard
Fluid escaping under pressure can penetrate skin and result in death or serious injury.



Relieve pressure before disconnecting hydraulic lines.
Stay clear of leaks and pin holes. Use a piece of cardboard or wood to search for leaks. Do not use hand.
Fluid injected into skin must be surgically removed within a few hours by a doctor familiar with this type of injury, or gangrene will result.



DANGER

Failure to obey the instructions and safety rules in the appropriate Operator's Manual and Service Manual for your machine will result in death or serious injury.

Many of the hazards identified in the Operator's Manual are also safety hazards when maintenance and repair procedures are performed.

DO NOT PERFORM MAINTENANCE UNLESS:

- ✓ You are trained and qualified to perform maintenance on this machine.
- ✓ You read, understand and obey:
 - manufacturer's instructions and safety rules
 - employer's safety rules and worksite regulations
 - applicable governmental regulations
- ✓ You have the appropriate tools, lifting equipment and a suitable workshop.

The information contained in this Tech Tip is a supplement to the Service Manual. Consult the appropriate Service Manual of your machine for safety rules and hazards.



TECH TIP 113 | RELEASED 04.21.2023 | VERSION 1.0
©TEREX UTILITIES. ALL RIGHTS RESERVED

CONTENTS

TECH TIP#113

4

| *Hydraulic Oil Specifications*

INTRODUCTION
STEP 1

5

| *Maintenance Manual*

STEP 2

STEP 1

Look up the correct hydraulic oil type in the unit specific maintenance manual. All Terex Auger Drill Models (330, 650,800) use ISO 32 hydraulic oil.

Oil Specifications:

Viscosity, Kinematic cSt at 40°C cSt at 100°C	30.4 5.2
Viscosity, Saybolt SUS at 100°F SUS at 210°F	157 44
Viscosity Index	98
Flash Point, °C(°F)	220(428)
Pour Point, °C(°F)	-25(-13)



Follow the cold weather start procedure in the operator's manual for specific instructions regarding cold weather starting procedures.



Consult the manufacturer's recommendations for engine oil requirements.

STEP 2

Follow the unit specific maintenance manual for recommended filter, tank breather, and hydraulic oil change intervals.



Escaping fluid under pressure can penetrate skin causing serious injury.

Relieve pressure before disconnecting hydraulic lines. Keep away from leaks and pin holes. Use a piece of cardboard or paper to search for leaks. **DO NOT** use your hand.

SYMPTOMS OF INCORRECT OIL TYPE

- Increased noise from the pump
- Slow, sluggish, or loss of performance

During cold weather:

- Inconsistent pressure adjustments

During hot weather:

- Increase in oil leaks
- Increase in oil temperature

CONSEQUENCES OF INCORRECT OIL TYPE

- Decreased lifespan of pump
- Increased contamination passed through system components
- Scuffing of Hydrostatic Motor

During cold weather:

- Cavitation of pump

During hot weather:

- Inadequate lubrication of pump



FOR FURTHER ASSISTANCE,
CONTACT THE TEREX UTILITIES TECHNICAL SUPPORT TEAM
PHONE: **1-844-TEREX4U (1-844-837-3948)** | EMAIL: UTILITIES.SERVICE@TEREX.COM
