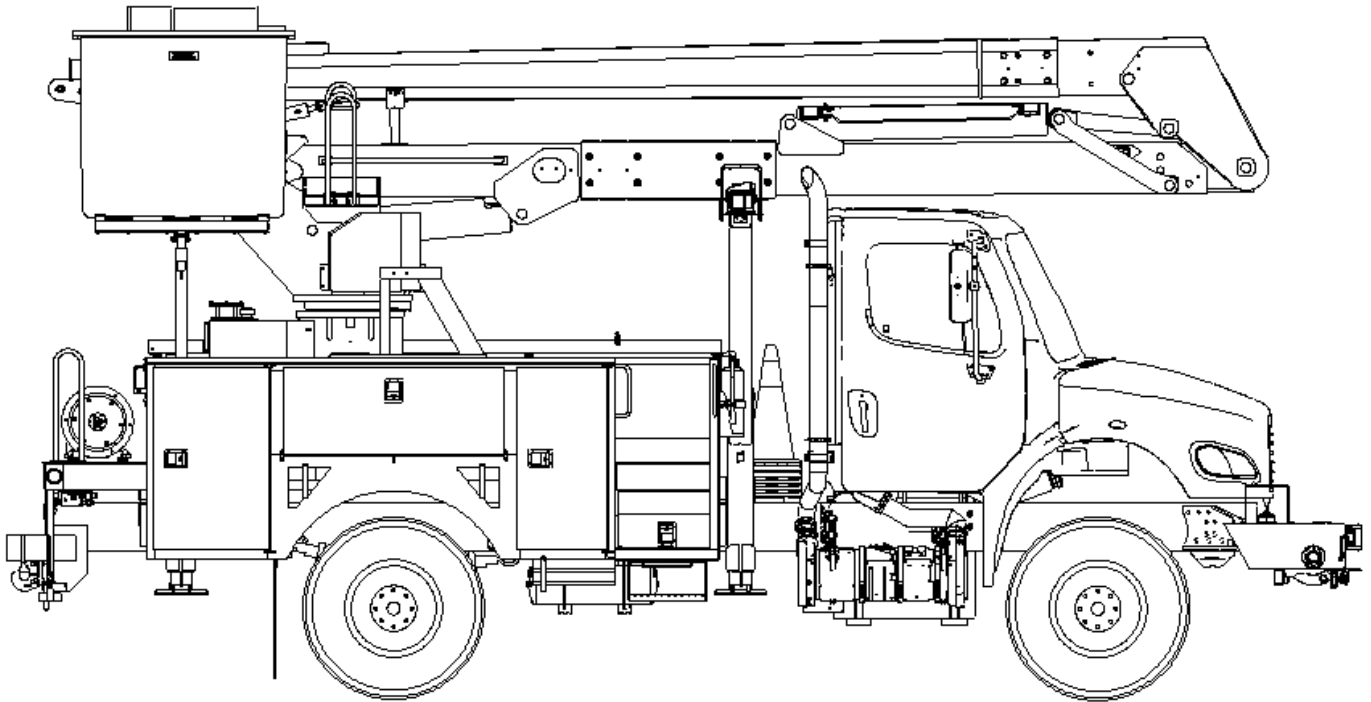




TECH TIPS

DETERMINING THE SOFTWARE VERSION INSTALLED ON THE SWITCH PANEL **NO. 117**



SERVICE CALL:
DETERMINING THE SOFTWARE
VERSION INSTALLED ON THE
SWITCH PANEL



MODEL(S):
ALL MODELS USING A CANVIEW
& SWITCH PANEL



TOOLS NEEDED:
NONE

TEREX UTILITIES TECHNICAL SUPPORT TEAM

PHONE: 1-844-TEREX4U (1-844-837-3948) | EMAIL: UTILITIES.SERVICE@TEREX.COM



DANGER

Failure to obey the instructions and safety rules in the appropriate Operator's Manual and Service Manual for your machine will result in death or serious injury.

Many of the hazards identified in the Operator's Manual are also safety hazards when maintenance and repair procedures are performed.

DO NOT PERFORM MAINTENANCE UNLESS:

- ✓ You are trained and qualified to perform maintenance on this machine.
- ✓ You read, understand and obey:
 - manufacturer's instructions and safety rules
 - employer's safety rules and worksite regulations
 - applicable governmental regulations
- ✓ You have the appropriate tools, lifting equipment and a suitable workshop.

The information contained in this Tech Tip is a supplement to the Service Manual. Consult the appropriate Service Manual of your machine for safety rules and hazards.



TECH TIP 117 | RELEASED 04.21.2023 | VERSION 1.0

©TEREX UTILITIES. ALL RIGHTS RESERVED

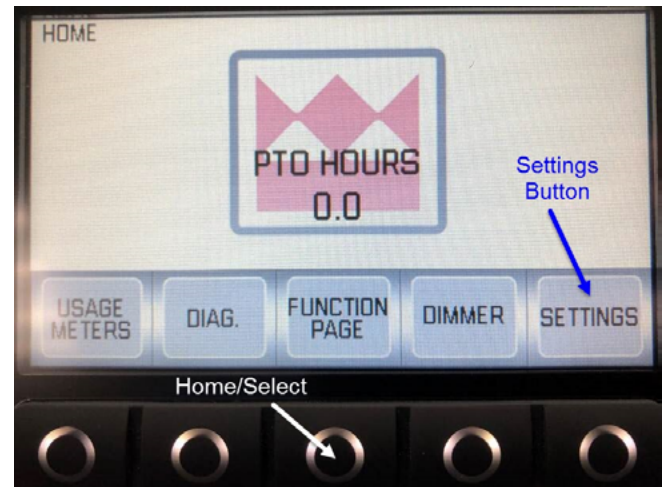
INTRODUCTION

Terex Utilities has a long history of listening and responding to our customer's needs. As this software continues to improve and evolve our Technical Support team may need to know the software version installed to determine if an upgrade is available.

The following procedure will guide you through determining the software version. Please contact the Terex Utilities Technical Support Team at 1-844-Terex4U (1-844-837-3948) or utilities.service@terex.com for more information.

STEP 1

Push the Home/Select button until "Settings" is visible on the right side of the screen.



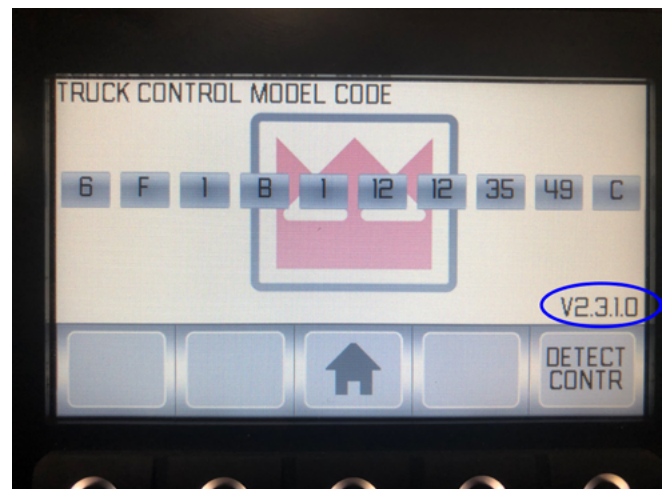
STEP 2

Scroll through the options until "Model Code" is highlighted.



STEP 3

The Software Version will be visible on the bottom right-hand portion of the screen.





FOR FURTHER ASSISTANCE,
CONTACT THE TEREX UTILITIES TECHNICAL SUPPORT TEAM
PHONE: **1-844-TEREX4U (1-844-837-3948)** | EMAIL: UTILITIES.SERVICE@TEREX.COM
