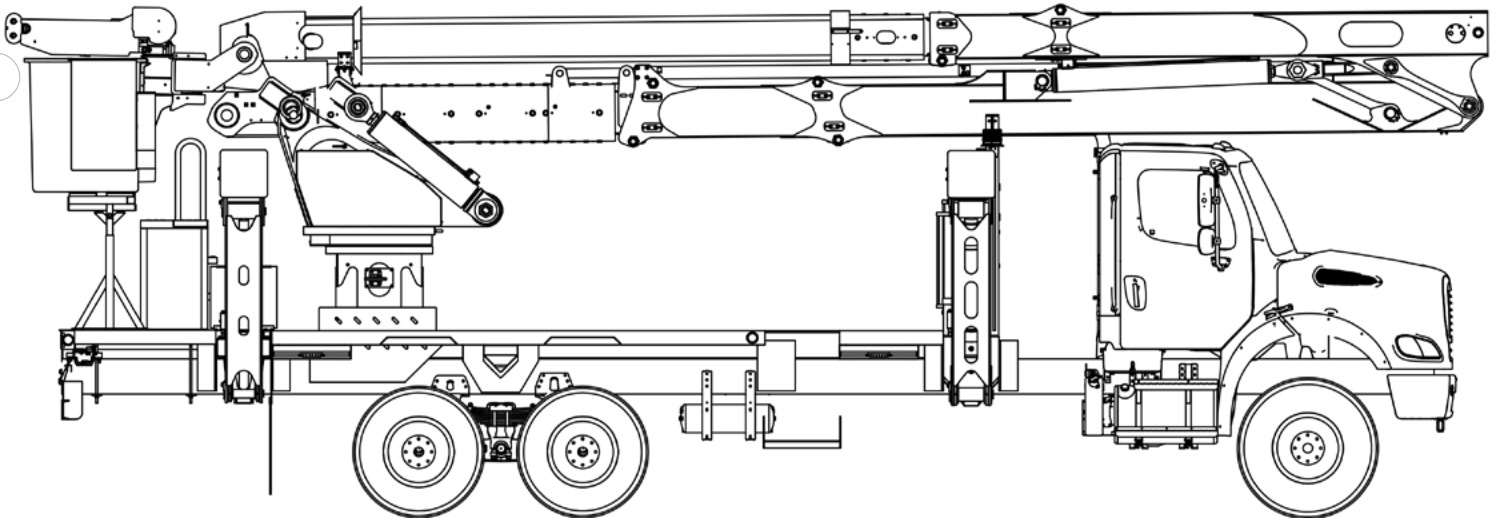




TECH TIPS

TM ROLLER ADJUSTMENT

NO. 121



SERVICE CALL:
TM ROLLER ADJUSTMENT



MODEL(S):
TM



TOOLS NEEDED:
ALLEN WRENCH SET
BIG PIPE WRENCH
BLUE LOCTITE
TAPE MEASURE
7/16" WRENCH AND SOCKET
FLASHLIGHT

TEREX UTILITIES TECHNICAL SUPPORT TEAM

PHONE: 1-844-TEREX4U (1-844-837-3948) | EMAIL: UTILITIES.SERVICE@TEREX.COM



DANGER

Failure to obey the instructions and safety rules in the appropriate Operator's Manual and Service Manual for your machine will result in death or serious injury.

Many of the hazards identified in the Operator's Manual are also safety hazards when maintenance and repair procedures are performed.

DO NOT PERFORM MAINTENANCE UNLESS:

- ✓ You are trained and qualified to perform maintenance on this machine.
- ✓ You read, understand and obey:
 - manufacturer's instructions and safety rules
 - employer's safety rules and worksite regulations
 - applicable governmental regulations
- ✓ You have the appropriate tools, lifting equipment and a suitable workshop.

The information contained in this Tech Tip is a supplement to the Service Manual. Consult the appropriate Service Manual of your machine for safety rules and hazards.



TECH TIP 121 | RELEASED 04.21.2023 | VERSION 1.0
©TEREX UTILITIES. ALL RIGHTS RESERVED

CONTENTS

TECH TIP#121

TOC

4

| *Upper boom roller adjustment*

STEP 1 - STEP 5

5

| *TM 125 Intermediate boom adjustment*

| *TM Lower outer boom roller adjustment*

STEP 6 - STEP 7

STEP 1

Raise booms slightly out of the rest.

STEP 2

Loosen up the 2 set screws on each roller cam.



STEP 3

Mark roller cams on the high side of the cam and adjust cams so that it moves the rollers away from the boom.



STEP 4

Upper Boom Roller Adjustment

Remove the knuckle cover to provide access to the center of the inner boom within the knuckle.

STEP 5

Adjust roller cams by rotating them until the mark is now pointing at a 90-degree angle on both the top roller assembly and the bottom roller assembly. Look in the knuckle and verify that the boom is centered and square as well in the knuckle, metal to metal. If not adjust rollers until it is.

Once centered, remove the set screws, add blue Loctite and tighten down snugly as this keeps the cams from moving once adjusted.

Note: Make sure that the marks on the cams are pointing in the same direction on both sides. Failure to do so will cause the rollers to set offset from each other. Damage to the boom may happen if rollers are not aligned properly.

STEP 6

TM 125 Intermediate Boom adjustment

Perform the Step 5 roller adjustment using a tape measure to center the inner boom within the intermediate boom.



STEP 7

TM Lower outer boom roller adjustment

Refer to Step 5 to adjust the bottom roller assembly closest to the lower boom insert and the upper roller closest to the knuckle. Adjust the rollers to center the intermediate boom into the outer boom.

Once centered, adjust the other rollers so that they just touch the intermediate boom but still turn the rollers. Tightening the roller too much will cause a popping noise when extending the lower boom. If the roller is too loose it will cause the boom to be sloppy. When done adjusting, remove set screws and apply blue Loctite.





FOR FURTHER ASSISTANCE,
CONTACT THE TEREX UTILITIES TECHNICAL SUPPORT TEAM
PHONE: **1-844-TEREX4U (1-844-837-3948)** | EMAIL: UTILITIES.SERVICE@TEREX.COM
