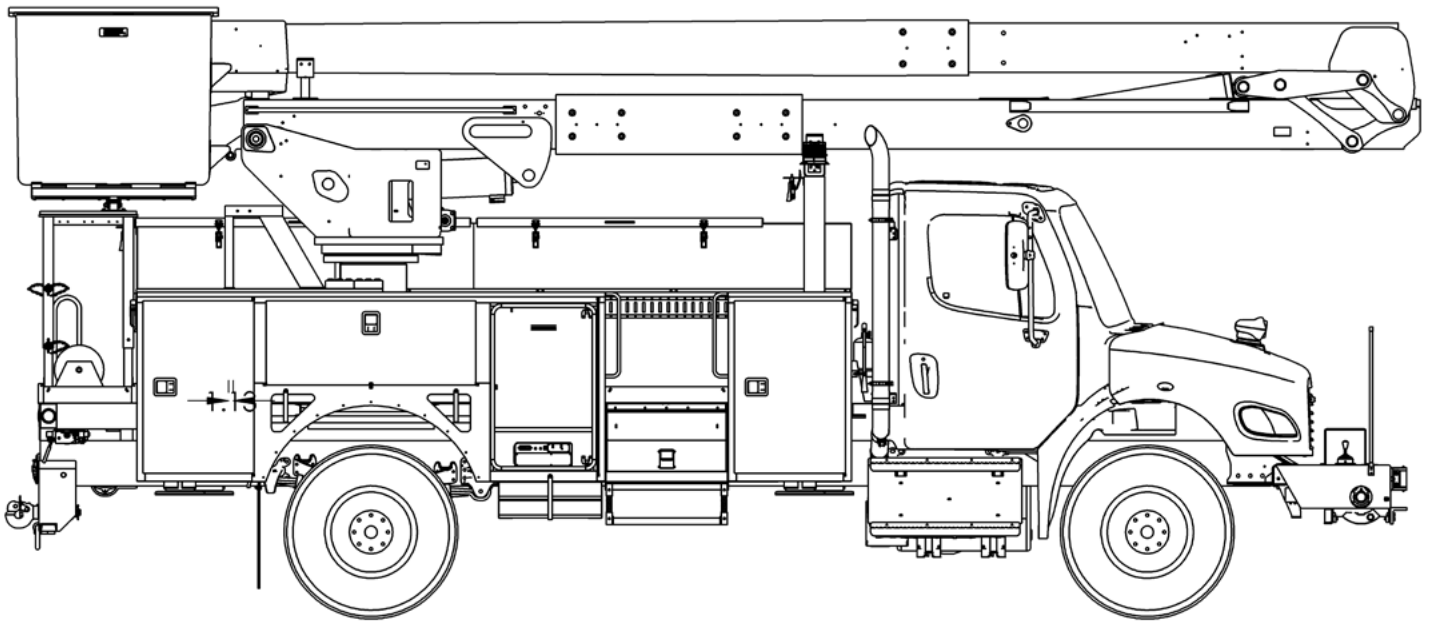




TECH TIPS

SETTING STOP VALVES FOR NON-OVERCENTER TC AND TCX UNITS

NO. 16



SERVICE CALL:
SETTING STOP VALVES FOR NON-OVERCENTER TC AND TCX UNITS



MODEL(S):
TC (AFTER 2002) AND TCX



TOOLS NEEDED:
1/2" WRENCH
1/2" SOCKET
2 LB RUBBER HAMMER
ANGLE INDICATOR
SCREWDRIVER SET

TEREX UTILITIES TECHNICAL SUPPORT TEAM

PHONE: 1-844-TEREX4U (1-844-837-3948) | EMAIL: UTILITIES.SERVICE@TEREX.COM



DANGER

Failure to obey the instructions and safety rules in the appropriate Operator's Manual and Service Manual for your machine will result in death or serious injury.

Many of the hazards identified in the Operator's Manual are also safety hazards when maintenance and repair procedures are performed.

DO NOT PERFORM MAINTENANCE UNLESS:

- ✓ You are trained and qualified to perform maintenance on this machine.
- ✓ You read, understand and obey:
 - manufacturer's instructions and safety rules
 - employer's safety rules and worksite regulations
 - applicable governmental regulations
- ✓ You have the appropriate tools, lifting equipment and a suitable workshop.

The information contained in this Tech Tip is a supplement to the Service Manual. Consult the appropriate Service Manual of your machine for safety rules and hazards.



TECH TIP 16 | RELEASED 03.03.2022 | VERSION 1.0
©TEREX UTILITIES. ALL RIGHTS RESERVED

CONTENTS

TECH TIP#16

4

| *Position and level the unit*

**INTRODUCTION
STEP 1 - STEP 2**

5

| *Adjust the stop valve*

STEP 3 - STEP 5

6

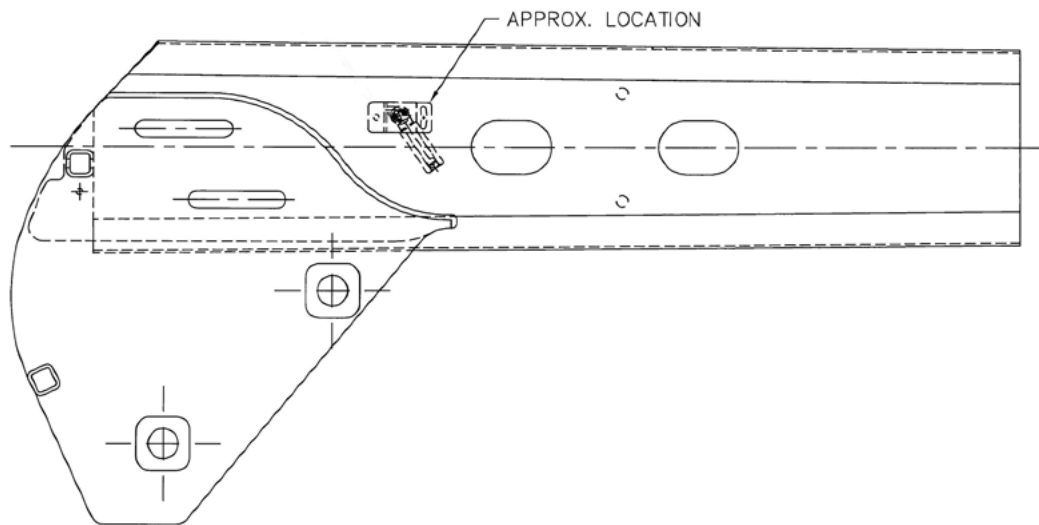
| *Full Schematic*

APPENDIX A

INTRODUCTION

The purpose of the stop valves is to limit the upper boom from going over-center when operating the upper boom on a TC or TCX.

A full schematic is available in [Appendix A](#).



STEP 1

Position the machine in an area that will allow you to run the upper boom up without any overhead restrictions.

STEP 2

Level the machine, making sure that the tower is also level.



STEP 3

Raise the upper boom and check the angle. Lower the upper boom down and verify the angle again.

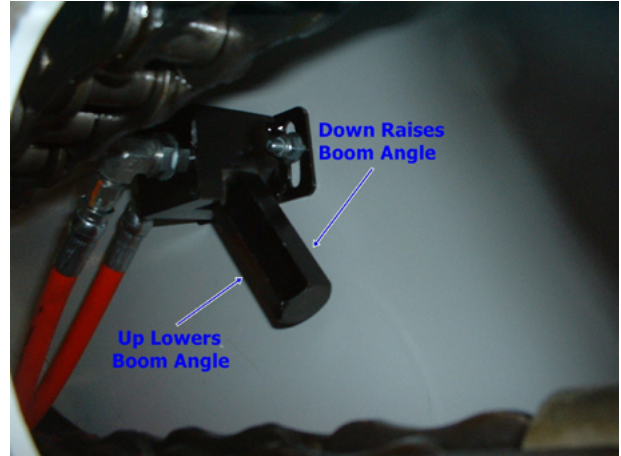


STEP 4

Adjust the stop valve to the proper angle. The upper boom stop is set to:

- 63 degrees on a TC
- 70 degrees on a TCX

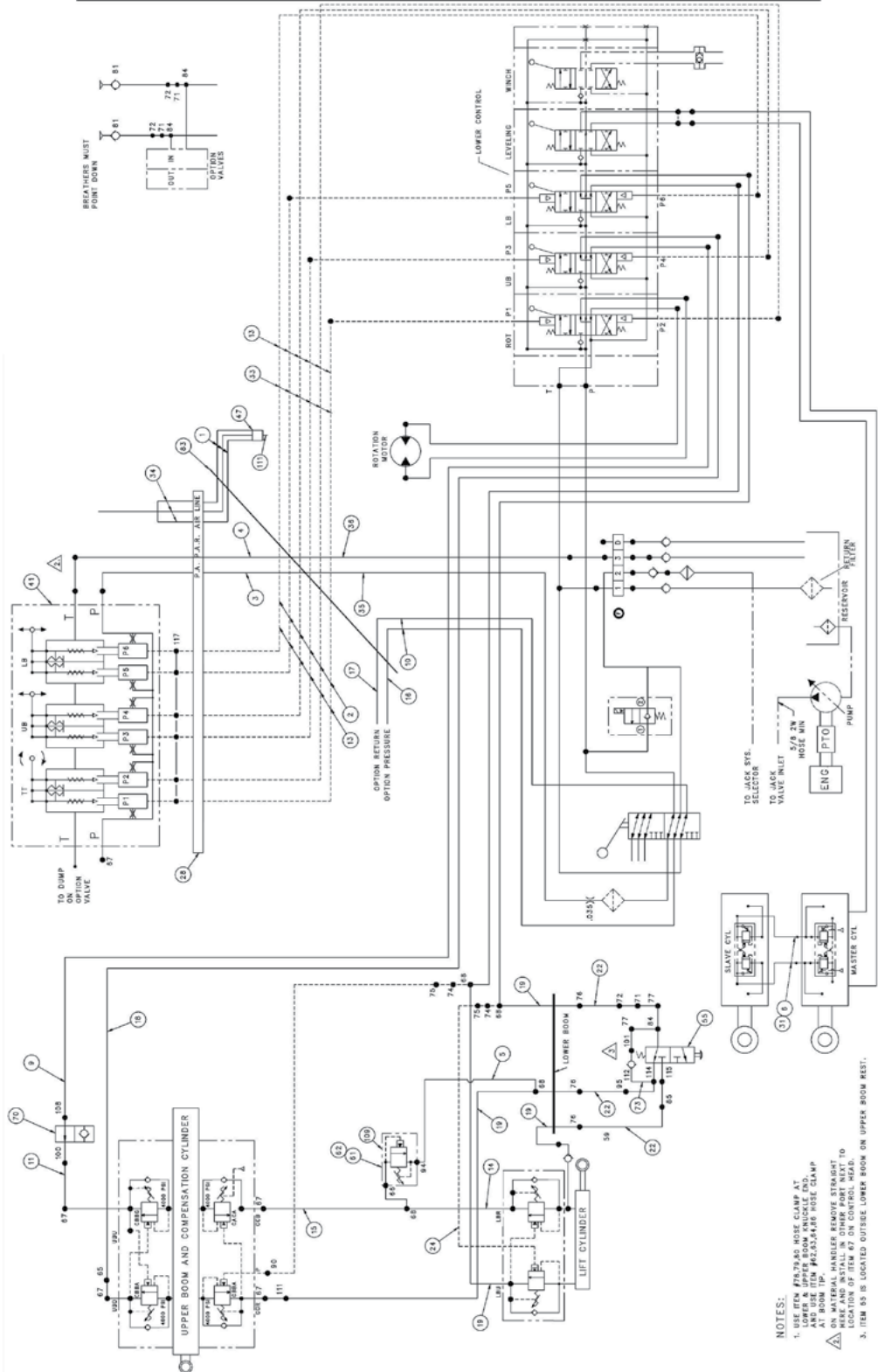
Run the upper boom up until it stops.



STEP 5

Repeat steps until properly adjusted.

APPENDIX: A



- NOTES:
1. USE ITEM #74,76,80 HOSE CLAMP AT LOWER & UPPER BOOM KNUCKLE END AT BOOM TIP. REMOVE HOSE CLAMP ON MATERIAL HANDLER REMOVE STRAIGHT AT BOOM TIP. LOCATION OF ITEM 87 ON CONTROL HEAD.
 2. ITEM 85 IS LOCATED OUTSIDE LOWER BOOM ON UPPER BOOM REST.



FOR FURTHER ASSISTANCE,
CONTACT THE TEREX UTILITIES TECHNICAL SUPPORT TEAM
PHONE: **1-844-TEREX4U (1-844-837-3948)** | EMAIL: **UTILITIES.SERVICE@TEREX.COM**
