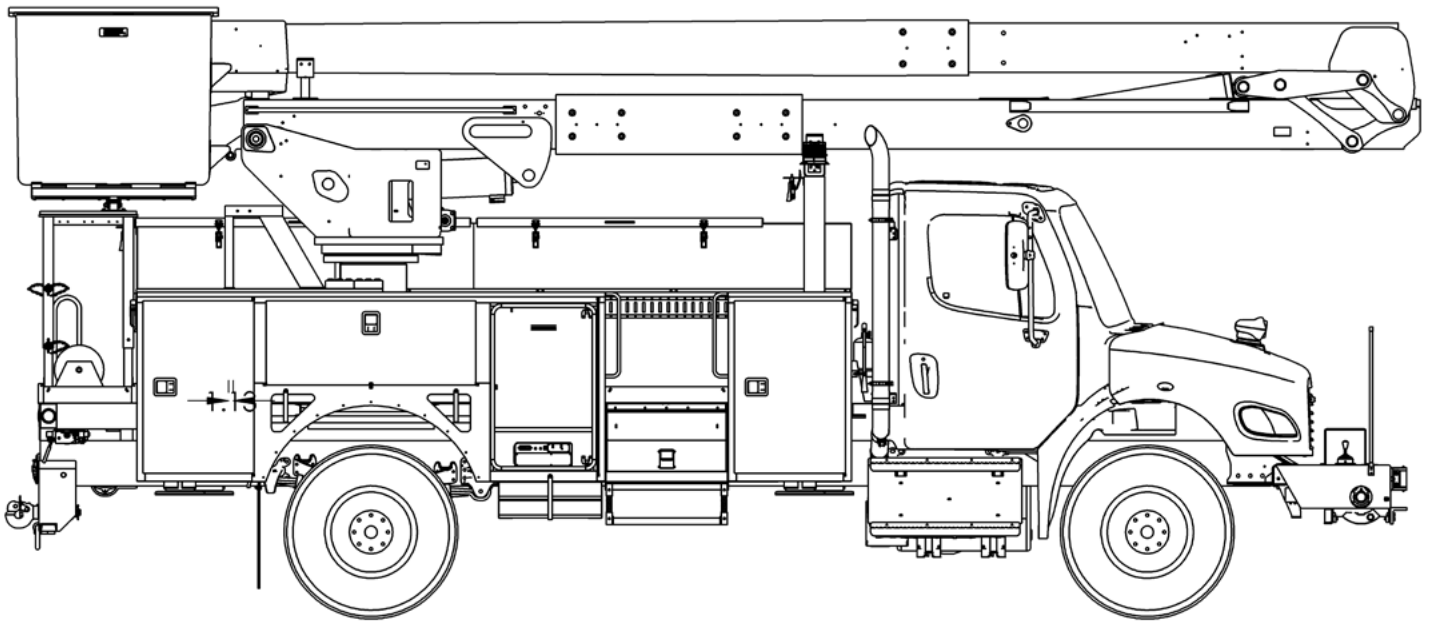




# TECH TIPS

GREASING A WORM GEAR ROTATION GEARBOX

NO. 187



**SERVICE CALL:**  
GREASING A WORM GEAR  
ROTATION GEARBOX



**MODEL(S):**  
ALL UNITS WITH WORM GEAR  
ROTATION



**TOOLS NEEDED:**  
GREASE GUN FILLED WITH  
LITHIUM BASED EP2 GREASE  
RAGS OR TOWELS

TEREX UTILITIES TECHNICAL SUPPORT TEAM

PHONE: 1-844-TEREX4U (1-844-837-3948) | EMAIL: [UTILITIES.SERVICE@TEREX.COM](mailto:UTILITIES.SERVICE@TEREX.COM)



## **DANGER**

Failure to obey the instructions and safety rules in the appropriate Operator's Manual and Service Manual for your machine will result in death or serious injury.

Many of the hazards identified in the Operator's Manual are also safety hazards when maintenance and repair procedures are performed.

## **DO NOT PERFORM MAINTENANCE UNLESS:**

- ✓ You are trained and qualified to perform maintenance on this machine.
- ✓ You read, understand and obey:
  - manufacturer's instructions and safety rules
  - employer's safety rules and worksite regulations
  - applicable governmental regulations
- ✓ You have the appropriate tools, lifting equipment and a suitable workshop.

The information contained in this Tech Tip is a supplement to the Service Manual. Consult the appropriate Service Manual of your machine for safety rules and hazards.



TECH TIP 187 | RELEASED 05.19.2023 | VERSION 1.1  
©TEREX UTILITIES. ALL RIGHTS RESERVED

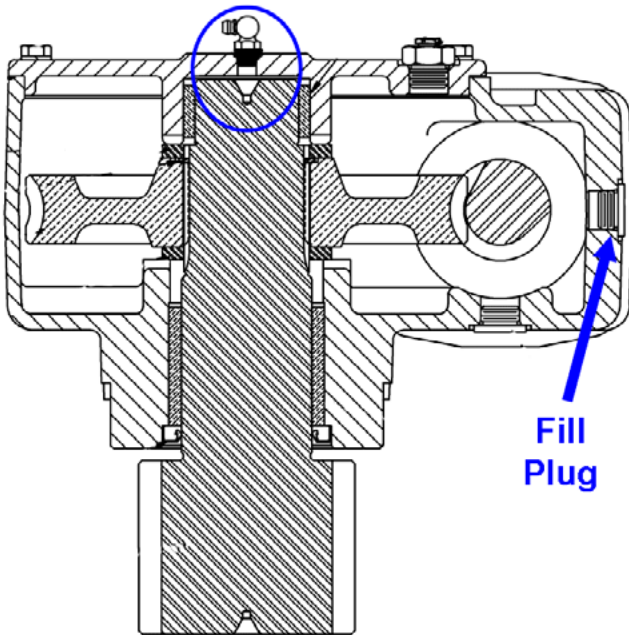
## INTRODUCTION

The grease fitting located on the top of the rotation gearbox only greases a single bushing in the top cover (shown in the drawing below). Over-greasing this fitting can fill the gearbox with grease or possibly cause damage to the gearbox itself.

The lubrication for the worm, gear, and the bottom bearing is provided by the gear lube which is at the correct level when up to the fill plug on the front face of the gearbox. **Figure 1**

## Video Tech Tip

A **video tech tip** of this and numerous other procedures is available on our **Tech Tip Channel**.



**FIGURE 1**

## STEP 1

Inspect the gearbox for any leaks or damage prior to greasing. **Figure 2**



**FIGURE 2**

## STEP 2

Remove the grease fitting cap (if equipped) and clean the grease fitting located on the top of the worm gear rotation gearbox by wiping any grease and dirt from it.



## STEP 3

Attach the grease gun to the fitting and apply **ONE** pump to the fitting.



## STEP 4

Remove the grease gun and wipe any of the excess grease from the fitting.

## STEP 5

Reinstall the grease fitting cap. Lubrication of the rotation gearbox is now complete.



FOR FURTHER ASSISTANCE,  
CONTACT THE TEREX UTILITIES TECHNICAL SUPPORT TEAM  
PHONE: **1-844-TEREX4U (1-844-837-3948)** | EMAIL: **[UTILITIES.SERVICE@TEREX.COM](mailto:UTILITIES.SERVICE@TEREX.COM)**

---