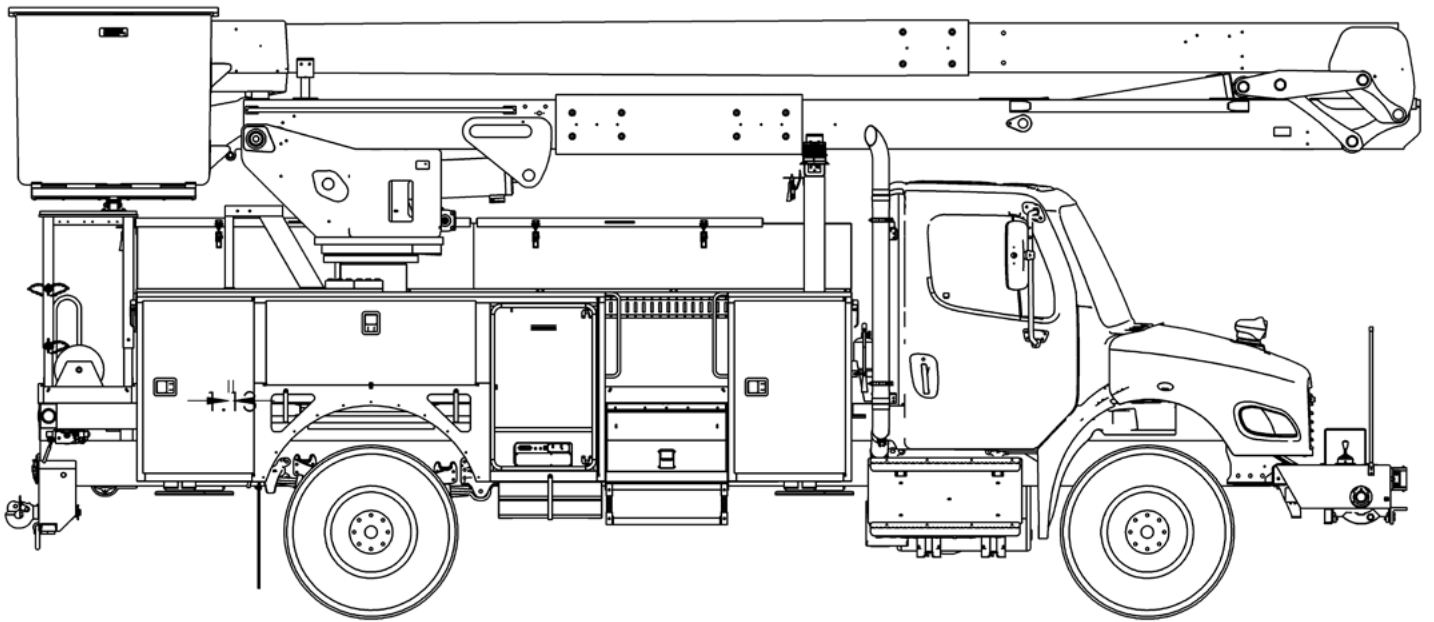




# TECH TIPS

VIATEC V3 LOCKOUT/TAGOUT

NO. 189



**GENERAL KNOWLEDGE**  
VIATEC V3 LOCKOUT/TAGOUT



**MODEL(S):**  
VIATEC SMARTPTO V3



**TOOLS NEEDED:**  
LOCKOUT/TAGOUT DEVICES

TEREX UTILITIES TECHNICAL SUPPORT TEAM

PHONE: 1-844-TEREX4U (1-844-837-3948) | EMAIL: [UTILITIES.SERVICE@TEREX.COM](mailto:UTILITIES.SERVICE@TEREX.COM)



## **DANGER**

Failure to obey the instructions and safety rules in the appropriate Operator's Manual and Service Manual for your machine will result in death or serious injury.

Many of the hazards identified in the Operator's Manual are also safety hazards when maintenance and repair procedures are performed.

## **DO NOT PERFORM MAINTENANCE UNLESS:**

- ✓ You are trained and qualified to perform maintenance on this machine.
- ✓ You read, understand and obey:
  - manufacturer's instructions and safety rules
  - employer's safety rules and worksite regulations
  - applicable governmental regulations
- ✓ You have the appropriate tools, lifting equipment and a suitable workshop.

The information contained in this Tech Tip is a supplement to the Service Manual. Consult the appropriate Service Manual of your machine for safety rules and hazards.



TECH TIP 189 | RELEASED 09.07.2022 | VERSION 1.0  
©TEREX UTILITIES. ALL RIGHTS RESERVED

# CONTENTS

## TECH TIP #189

4

| Shut down chassis  
| Shut down SmartPTO

**STEP 1 - STEP 3**

5

| Disconnect cables

**STEP 4 - STEP 5**

6

| Test for voltage

**STEP 6 - STEP 9**

7

| Verify multimeter is working

**STEP 10 - STEP 14**

## STEP 1

Turn off the truck and secure the keys to prevent unauthorized use.

Follow your company's policy for lockout tagout procedures.

## STEP 2

Unplug charging cables from the SmartPTO Unit.



120VAC



240VAC

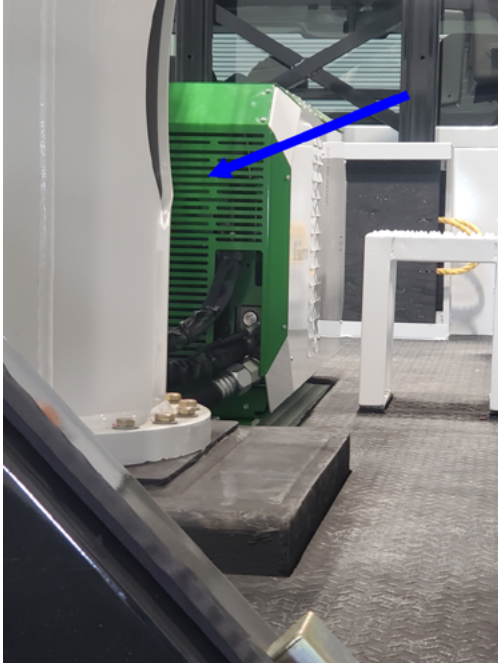
## STEP 3

Shut off the SmartPTO unit by pressing the E-stop on the square weldment located at the back of the truck.



## STEP 4

Remove the cover to get access to the connectors. Disconnect cables shown off the side of the SmartPTO unit.



## STEP 5

Use lockout/tagout devices to cover the cable ends. The control extension, 120VAC and 240VAC needs to be locked out. Wires will be labeled.

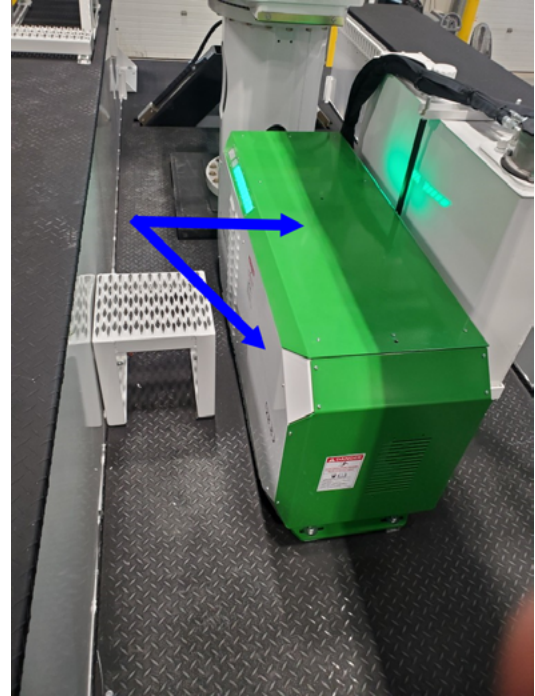


## STEP 6

Wait 10 minutes for the SmartPTO internal capacitors to discharge.

## STEP 7

Remove cover to access internal components.



Orange color wires and loom indicate High Voltage. Do not touch high voltage wires or any exposed connections.

## STEP 8

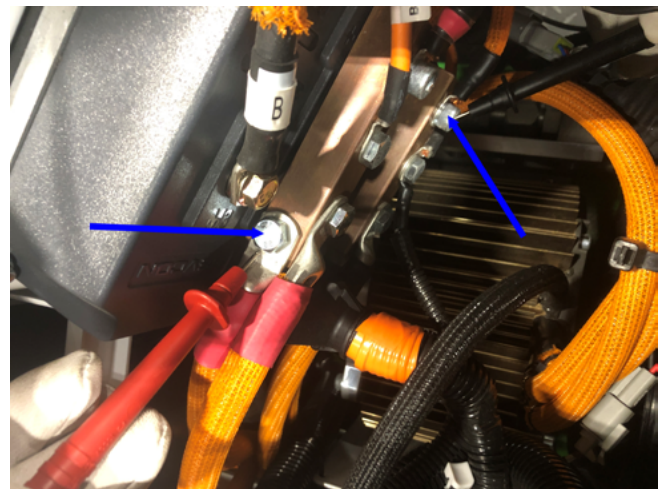
Set the multimeter for DC voltage, insert the probes into the export power connection to confirm 12V.



## STEP 9

Using appropriate PPE for high voltage testing. Test the Voltage between buss bars attached to B+ and B-.

**Note:** Gloves should be at least class 00 rated.



## STEP 10

Check your meter is working properly by testing battery voltage on the export power connection as in Step 8.

**Note:** Always follow the Check, Test, Check method.

## STEP 11

If the voltage on the battery (B+, B-) terminals is greater than 24V, wait an additional 10 minutes and check again. Repeat until the voltage is below 24V before proceeding.

## STEP 12

Once it has been confirmed that the system is below 24V, the 12V connector will need to be locked out as well.



## STEP 13

Once service or repairs are complete, reinstall all covers that were removed and follow procedures to remove lockout/tagout devices.

Securely attach all electrical connectors and follow start up procedures called out in the SmartPTO Manual.

## STEP 14

Operate the unit from the lower controls to verify proper operation.



FOR FURTHER ASSISTANCE,  
CONTACT THE TEREX UTILITIES TECHNICAL SUPPORT TEAM  
PHONE: **1-844-TEREX4U (1-844-837-3948)** | EMAIL: **[UTILITIES.SERVICE@TEREX.COM](mailto:UTILITIES.SERVICE@TEREX.COM)**

---