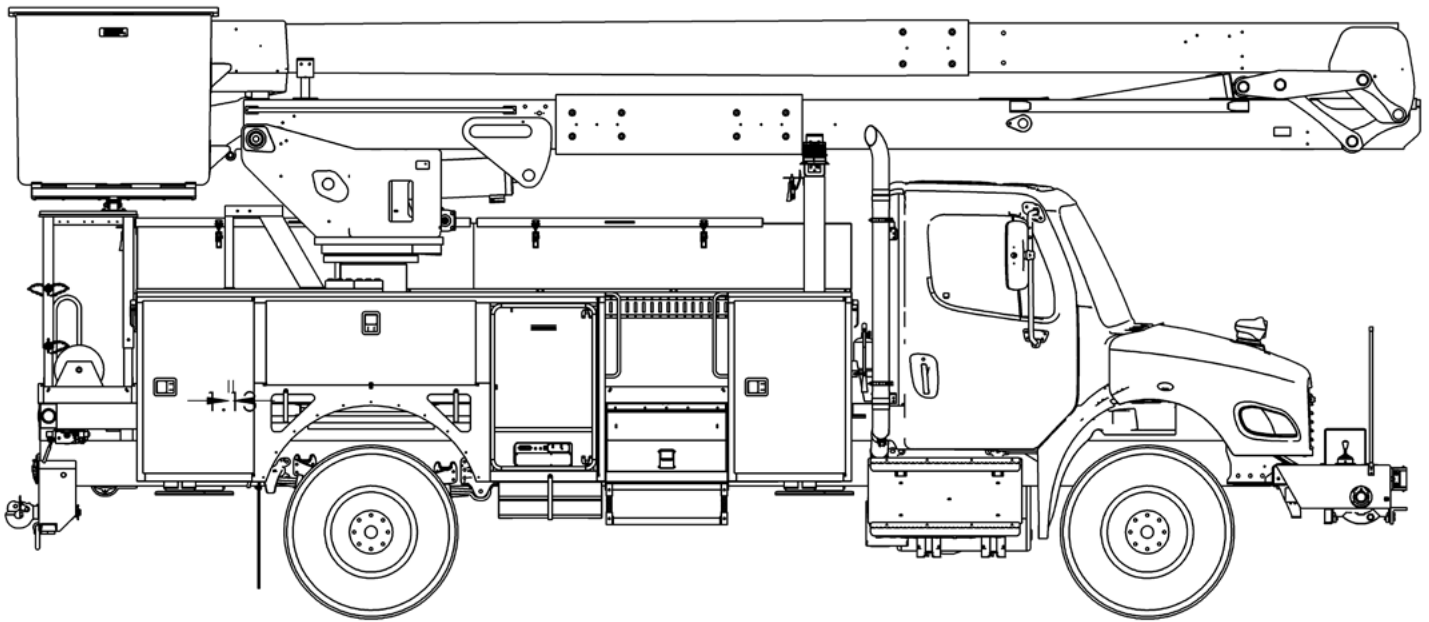




# TECH TIPS

CORRECTLY INITIATING A PLUG-IN CHARGE ON A 408V HYPOWER SYSTEM

**No. 20**



**SERVICE CALL:**  
CORRECTLY INITIATING A PLUG-IN CHARGE ON A 408V HYPOWER SYSTEM



**MODEL(S):**  
ALL UNITS WITH THE OPTIONAL 408V HYPOWER SYSTEM INSTALLED



**TOOLS NEEDED:**  
DEDICATED 20 AMP OUTLET  
20 AMP EXTENSION CORD

TEREX UTILITIES TECHNICAL SUPPORT TEAM

PHONE: 1-844-TEREX4U (1-844-837-3948) | EMAIL: [UTILITIES.SERVICE@TEREX.COM](mailto:UTILITIES.SERVICE@TEREX.COM)



## **DANGER**

Failure to obey the instructions and safety rules in the appropriate Operator's Manual and Service Manual for your machine will result in death or serious injury.

Many of the hazards identified in the Operator's Manual are also safety hazards when maintenance and repair procedures are performed.

## **DO NOT PERFORM MAINTENANCE UNLESS:**

- ✓ You are trained and qualified to perform maintenance on this machine.
- ✓ You read, understand and obey:
  - manufacturer's instructions and safety rules
  - employer's safety rules and worksite regulations
  - applicable governmental regulations
- ✓ You have the appropriate tools, lifting equipment and a suitable workshop.

The information contained in this Tech Tip is a supplement to the Service Manual. Consult the appropriate Service Manual of your machine for safety rules and hazards.



TECH TIP 20 | RELEASED 03.07.2022 | VERSION 1.0  
©TEREX UTILITIES. ALL RIGHTS RESERVED

# CONTENTS

## TECH TIP#20

4

| Check the e-stop switches

| Park the truck in designated charging location.

**INTRODUCTION**  
**STEP 1 - STEP 2**

5

| Plug in the extension cord

| Allow self checks to complete

| Charging light comes on

| Interlocks

**STEP 3 - STEP 6**

## INTRODUCTION

Performing a plug-in charge on the 408V HyPower™ systems is imperative to maintaining the performance and battery life of the system. The plug-in charge is the primary charging method for the system ensuring the batteries are fully and evenly charged.

At a minimum, the HyPower™ system should be charged at least 3 days per week, with charging occurring every night to maximum energy savings.

Failing to plug-in charge the machine may result in poor performance, damaged batteries, and reduced battery life.

The steps below outline the correct procedure for performing a plug-in charge on a 408V HyPower™ system.

## STEP 1

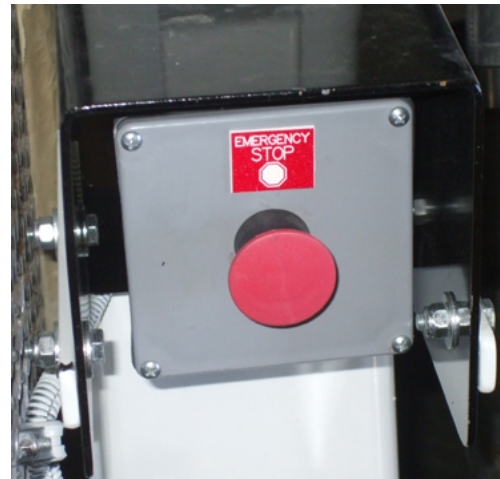
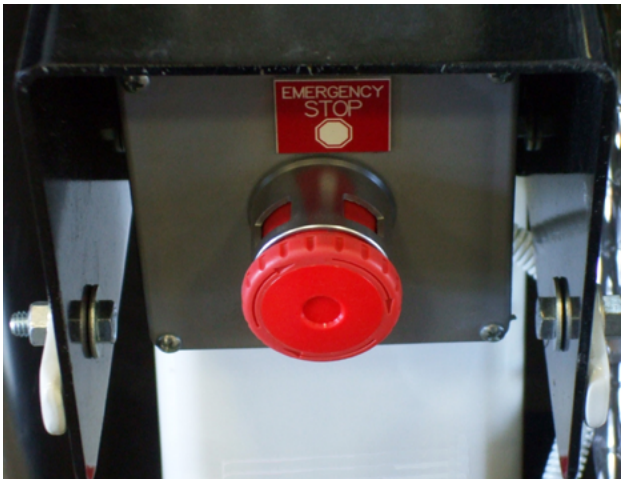
Park the truck in the designated charging location with the Parking Brake set, the wheels chocked and the ignition key in the OFF position.

---

## STEP 2

Physically check both Emergency Stop buttons to ensure that both buttons are pulled out.

If an emergency stop button is pressed, the hybrid system will register a fault causing the plug-in charge to fail.



### STEP 3

Plug the locking connector on the extension cord (provided by Terex) into the hybrid system outlet. Then plug the extension cord into a dedicated 120V/20A outlet.

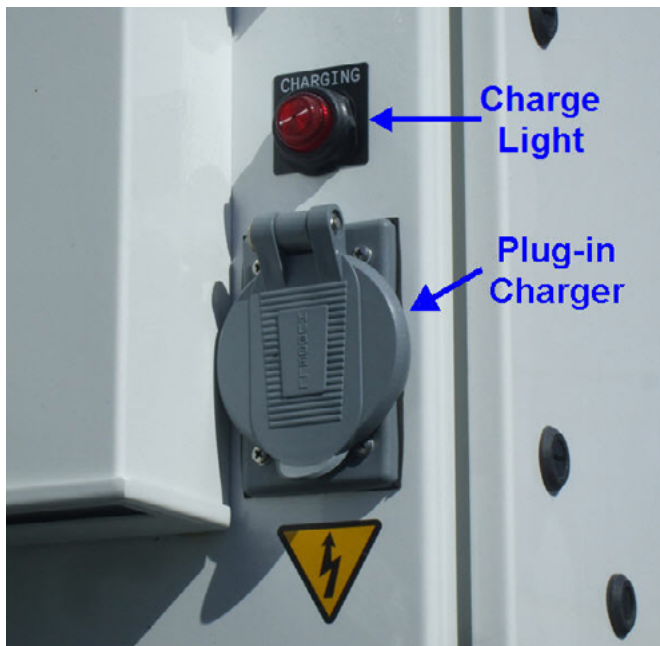
**Note:** No other devices should be powered by the same wall circuit during charging. Plugging other devices into the circuit may trip the breaker, causing the plug-in charge to fail.

### STEP 4

Once the system checks are complete, the hybrid will begin charging. The red charging light on the long box will light up to indicate that the plug-in charge is active.

**Note:** If the hybrid experiences a fault during the plug-in charge, the hybrid dash light will begin flashing and the red light on the long box will not illuminate.

**Note:** If the ignition key is left in the ON position, the Red charge light on the long box will continuously flash once the hybrid has been plugged in and the machine will fail to charge.



### STEP 5

The Red charge light on the long box will remain lit throughout the charging process. Once charging has completed the Red light will turn OFF.

### STEP 6

The truck engine is interlocked from starting during the plug-in charge. Once charging has completed, unplug the extension cord from the long box and the outlet. Store the extension cord in a clean, dry location such as a side compartment.



FOR FURTHER ASSISTANCE,  
CONTACT THE TEREX UTILITIES TECHNICAL SUPPORT TEAM  
PHONE: **1-844-TEREX4U (1-844-837-3948)** | EMAIL: **[UTILITIES.SERVICE@TEREX.COM](mailto:UTILITIES.SERVICE@TEREX.COM)**

---