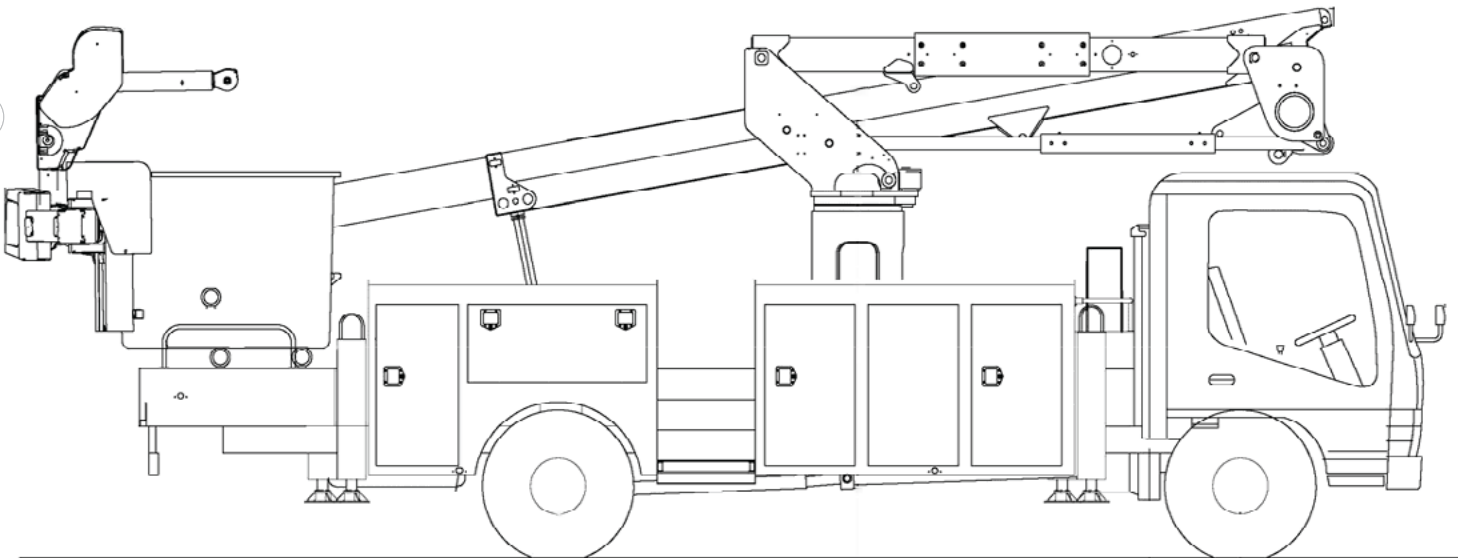




TECH TIPS

VACUUM PREVENTION SYSTEM TESTING ON CATEGORY C AERIAL DEVICES

NO. 28



SERVICE CALL:
VACUUM PREVENTION SYSTEM
TESTING ON CATEGORY C AERIAL
DEVICES



MODEL(S):
ALL CATEGORY C AERIALS WITH
FOOT VALVES INSTALLED




TOOLS NEEDED:
JUMPER HOSE WITH PRESSURE
GAUGE AND APPROPRIATE
FITTINGS


TEREX UTILITIES TECHNICAL SUPPORT TEAM

PHONE: 1-844-TEREX4U (1-844-837-3948) | EMAIL: UTILITIES.SERVICE@TEREX.COM

! WARNING



Injection Hazard
Fluid escaping under pressure can penetrate skin and result in death or serious injury.



Relieve pressure before disconnecting hydraulic lines.
Stay clear of leaks and pin holes. Use a piece of cardboard or wood to search for leaks. Do not use hand.
Fluid injected into skin must be surgically removed within a few hours by a doctor familiar with this type of injury, or gangrene will result.



DANGER

Failure to obey the instructions and safety rules in the appropriate Operator's Manual and Service Manual for your machine will result in death or serious injury.

Many of the hazards identified in the Operator's Manual are also safety hazards when maintenance and repair procedures are performed.

DO NOT PERFORM MAINTENANCE UNLESS:

- ✓ You are trained and qualified to perform maintenance on this machine.
- ✓ You read, understand and obey:
 - manufacturer's instructions and safety rules
 - employer's safety rules and worksite regulations
 - applicable governmental regulations
- ✓ You have the appropriate tools, lifting equipment and a suitable workshop.

The information contained in this Tech Tip is a supplement to the Service Manual. Consult the appropriate Service Manual of your machine for safety rules and hazards.



TECH TIP 28 | RELEASED 03.14.2022 | VERSION 1.0
©TEREX UTILITIES. ALL RIGHTS RESERVED

CONTENTS

TECH TIP#28

TOC

4

| *Preoperation inspection*

| *Operate all functions*

| *Install the jumper hose*

INTRODUCTION
STEP 1 - STEP 5

5

| *Install the jumper gauge*

| *Record the values*

STEP 6 - STEP 9

INTRODUCTION

The vacuum prevention system may be installed on units with a platform height of 50 foot or greater to keep the hydraulic oil in the lines and prevent a vacuum from forming, which reduces the dielectric strength.

Check valves are located in the hydraulic lines to keep the oil in the line. Typically, they are located just above the 'collector block' or hydraulic swivel joint. With controls below rotation, the foot valves are typically installed at the pressure and return line going into the lower control valve. The following procedure will test the check or 'foot' valves.

STEP 1

Perform the pre-operation inspections according to the manual and company policies.

STEP 2

Operate all unit functions from the upper controls to make sure hoses are filled with oil.

STEP 3

Store the booms in the travel position before proceeding to Step 4.

STEP 4

Turn off the chassis engine. Cycle the control handles to bleed off any trapped pressure.

STEP 5

Install the jumper hose with pressure gauge in the configuration listed in steps 6 – 8 as applicable to the unit being tested. In each configuration, the pressure reading should stabilize at 30-60 PSI and hold for a minimum of 30 seconds. This will indicate that the check valves will hold oil in the line.



Escaping fluid under pressure can penetrate skin causing serious injury.

Relieve pressure before disconnecting hydraulic lines. Keep away from leaks and pin holes. Use a piece of cardboard or paper to search for leaks. **DO NOT** use your hand.

STEP 6

Install jumper hose with pressure gauge between the Tool Pressure and Tool Return couplers. If unit has “free flow return”, connect it to the Tool Return temporarily.



FOOT VALVE TESTING

STEP 7 (IF EQUIPPED)

Install jumper hose with pressure gauge between the Power Assist pressure line and return.

STEP 8 (IF EQUIPPED)

Install jumper hose with pressure gauge between the Option Valve pressure line and return.

STEP 9

Record the value for the system tested in the inspection form for the unit tested.



FOR FURTHER ASSISTANCE,
CONTACT THE TEREX UTILITIES TECHNICAL SUPPORT TEAM
PHONE: **1-844-TEREX4U (1-844-837-3948)** | EMAIL: **UTILITIES.SERVICE@TEREX.COM**
