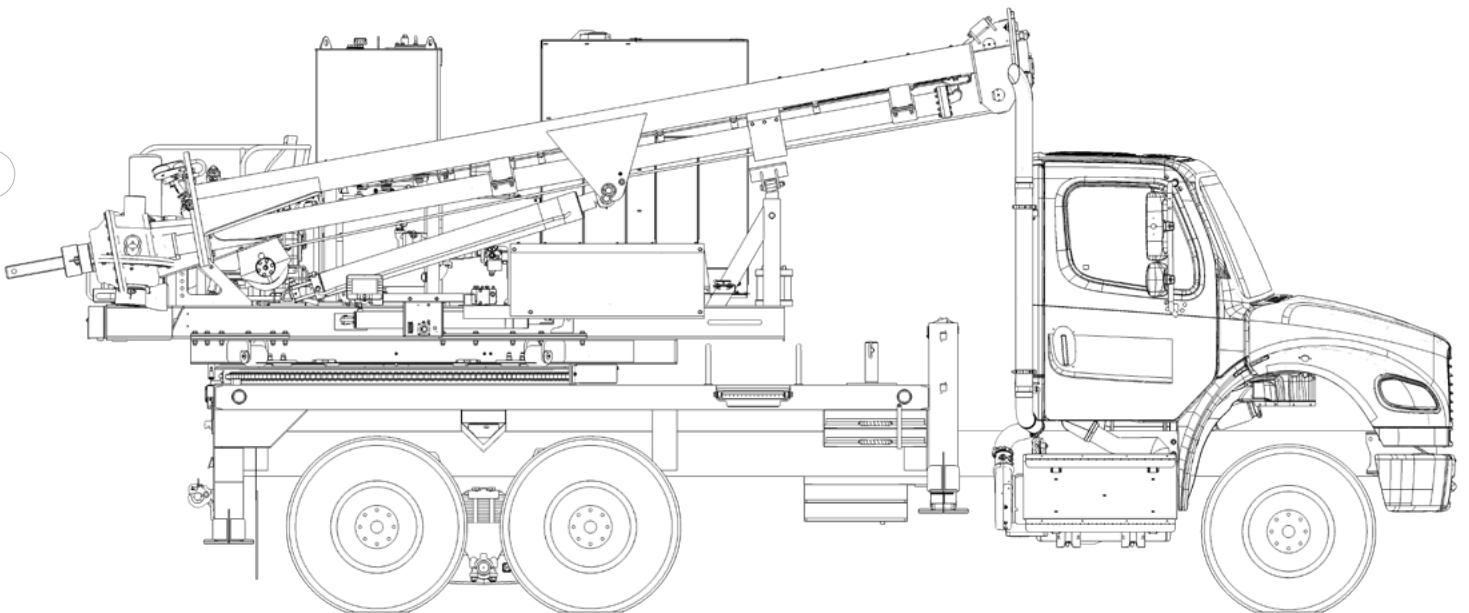




TECH TIPS

TX SERIES TOOTH REMOVAL AND INSTALLATION

NO. 35



SERVICE CALL:
TX SERIES TOOTH REMOVAL AND
INSTALLATION



MODEL(S):
UNITS WITH TX SERIES AUGERS



TOOLS NEEDED:
BRASS HAMMER
PUNCH

TEREX UTILITIES TECHNICAL SUPPORT TEAM

PHONE: 1-844-TEREX4U (1-844-837-3948) | EMAIL: UTILITIES.SERVICE@TEREX.COM



DANGER

Failure to obey the instructions and safety rules in the appropriate Operator's Manual and Service Manual for your machine will result in death or serious injury.

Many of the hazards identified in the Operator's Manual are also safety hazards when maintenance and repair procedures are performed.

DO NOT PERFORM MAINTENANCE UNLESS:

- ✓ You are trained and qualified to perform maintenance on this machine.
- ✓ You read, understand and obey:
 - manufacturer's instructions and safety rules
 - employer's safety rules and worksite regulations
 - applicable governmental regulations
- ✓ You have the appropriate tools, lifting equipment and a suitable workshop.

The information contained in this Tech Tip is a supplement to the Service Manual. Consult the appropriate Service Manual of your machine for safety rules and hazards.



TECH TIP 35 | RELEASED 03.16.2022 | VERSION 1.0
©TEREX UTILITIES. ALL RIGHTS RESERVED

CONTENTS

TECH TIP #35

TOC

4

| Remove teeth with a punch and brass hammer

INTRODUCTION
STEP 1

5

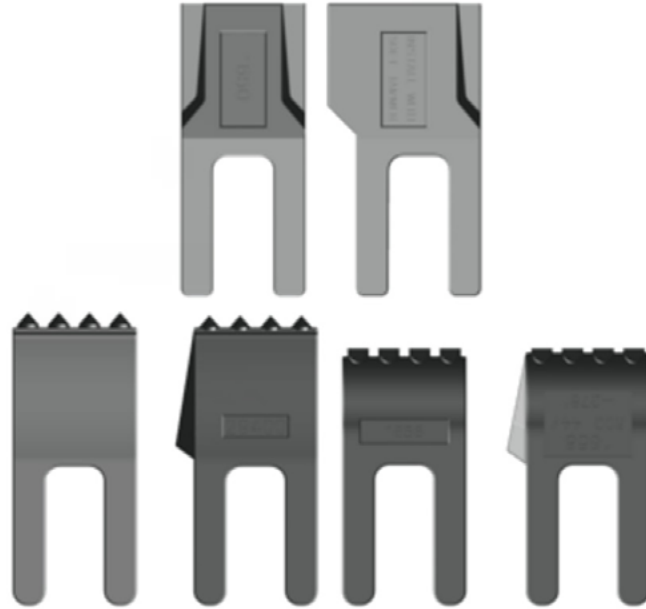
| Insert rubber lock

| Seat new tooth

STEP 2 - STEP 3

INTRODUCTION

- Always wear safety glasses and gloves when removing or installing teeth
- Never strike a tooth with a hammer or other hard object



STEP 1

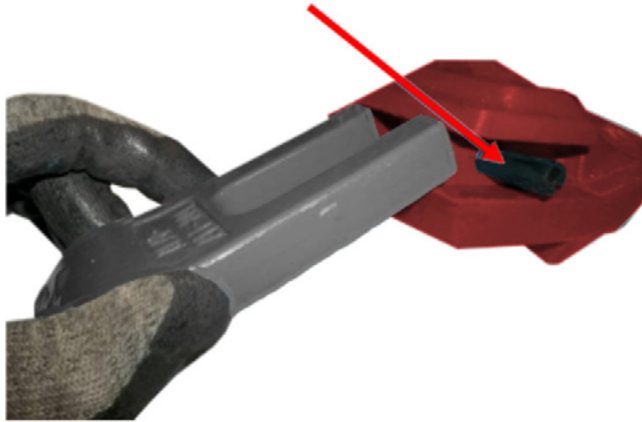
TX Series teeth can be removed using a punch with a brass hammer. Place the punch on the backside of the tooth and use the brass hammer to remove the tooth.



STEP 2

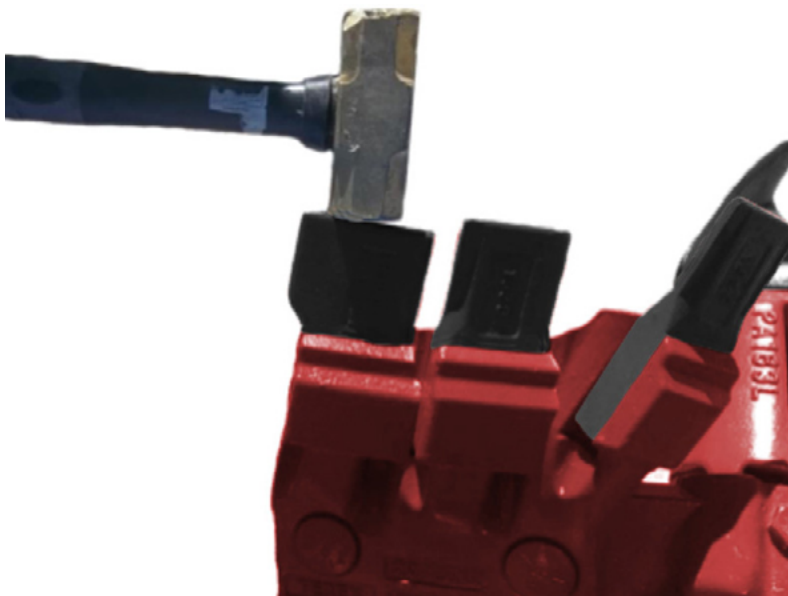
Insert new rubber lock (if required) into the hole on the shank plate.

5/16" Diameter P/N: A001277
1/4" Diameter P/N: 2429380



STEP 3

Place tooth inside the designated pocket on the shank. Using a brass hammer, gently pound the tooth into position.





FOR FURTHER ASSISTANCE,
CONTACT THE TEREX UTILITIES TECHNICAL SUPPORT TEAM
PHONE: [1-844-TEREX4U \(1-844-837-3948\)](tel:1-844-TEREX4U) | EMAIL: UTILITIES.SERVICE@TEREX.COM
