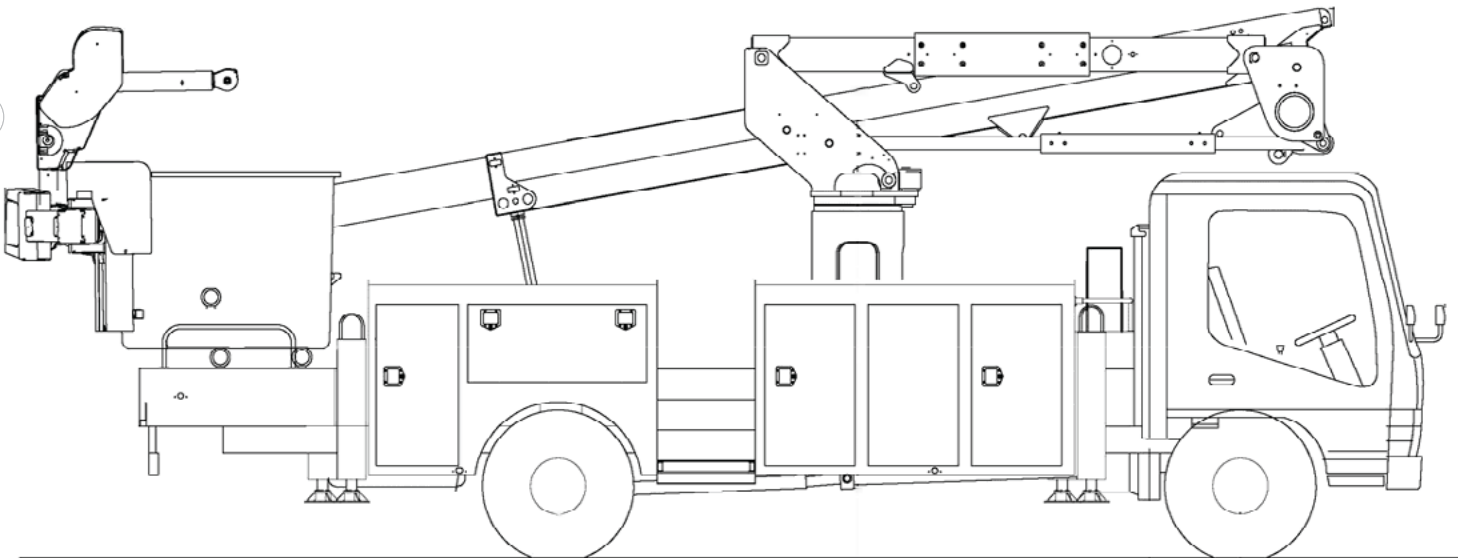




TECH TIPS

KITSHEET AND SCHEMATIC ABBREVIATIONS

NO. 61



GENERAL KNOWLEDGE
KITSHEET AND SCHEMATIC
ABBREVIATIONS



MODEL(S):
ALL



TOOLS NEEDED:
NONE

TEREX UTILITIES TECHNICAL SUPPORT TEAM

PHONE: 1-844-TEREX4U (1-844-837-3948) | EMAIL: UTILITIES.SERVICE@TEREX.COM



DANGER

Failure to obey the instructions and safety rules in the appropriate Operator's Manual and Service Manual for your machine will result in death or serious injury.

Many of the hazards identified in the Operator's Manual are also safety hazards when maintenance and repair procedures are performed.

DO NOT PERFORM MAINTENANCE UNLESS:

- ✓ You are trained and qualified to perform maintenance on this machine.
- ✓ You read, understand and obey:
 - manufacturer's instructions and safety rules
 - employer's safety rules and worksite regulations
 - applicable governmental regulations
- ✓ You have the appropriate tools, lifting equipment and a suitable workshop.

The information contained in this Tech Tip is a supplement to the Service Manual. Consult the appropriate Service Manual of your machine for safety rules and hazards.



TECH TIP 61 | RELEASED 08.29.2022 | VERSION 1.0
©TEREX UTILITIES. ALL RIGHTS RESERVED

CONTENTS

TECH TIP#61

TOC

4 | *Abbreviations and the corresponding definition*
**INTRODUCTION
(S/L) - BC**

5 **BHHSCS - CHHA**

6 **CID - CVHOP2E**

7 **CVHOPLD - ELECT**

8 **EMG - GAWR**

9 **GFI - ISO**

10 **J/W - MFSBLKHD**

11 **MJ - ORA**

12 **ORF - PGW**

13 **PHIGH - RED**

14 **RELF - SH**

15 **SHCS - TPP**

16 **T/C - UB
UBD - ZP**

INTRODUCTION

Reference the table below for the abbreviation and the corresponding definition:

ABBREVIATION	DEFINITION
(S/L)	SHIP LOOSE
2E	2ND EXTEND
2ND	SECOND BOOM SECTION
2R	2ND RETRACT
3E	3RD EXTEND
3ES	3RD EXTEND SEQUENCING
3R	3RD RETRACT
3RD	THIRD BOOM SECTION
3RS	3RD RETRACT SEQUENCING
4TH	FOURTH BOOM SECTION
A&B	A AND B WORK PORTS
AAS'Y	ASSEMBLY
ACC.	ACCESORY OR ACCELERATOR
ACK	ACKNOWLEDGEMENT
ADJ	ADJUSTABLE
A-FRM	A-FRAME
ANCH	ANCHOR
ANSI	AMERICAN NATIONAL STANDARDS INSTITUTE
ASB	AUGER STORAGE BRACKET
ASS'Y	ASSEMBLY
ASTM	(MATERIAL GRADE)
ASTMA	(MATERIAL GRADE)
ATO	AUXILIARY TOOL OUTLET AT TOWER
ATP	AXILARY TOOL - PLATFORM
AUG	AUGER
AUX	AUXILIARY
BASE LIFT	SENSE LINE TO LIFT CYLINDER BASE END
BBL	(MALE) BOSS BULKHEAD
BC	BEHIND CAB MOUNT

ABBREVIATION	DEFINITION
BHHSCS	BUTTONHEAD CAPSCREW
BIDIR	BI-DIRECTIONAL
BLD	BLEED SPOOL
BM	BOOM
BOC	BACK OF CAB
BOM	BILL OF MATERIAL
BRC	BELOW ROTATION CONTROLS
BRKT	BRACKET
BSC	BASIC
BSHING	BUSHING
BSKT	BASKET
C ZP	ZINC-PLATED (GRADE C)
C/ALL	COMMAND ALL
C/B	COLLECTOR BLOCK
C/P	COMMAND POST
C/R	COLLECTOR RING
CA	CAB TO AXLE
CAPT	CAPTAIN
CAPT II	CAPTAIN II (85 SERIES)
CATRAC	BRAND NAME OF HOSE CARRIER
CAV	CAVITY
CB	COUNTER BALANCE
C'BAL	COUNTER BALANCE
C'BALANCE	COUNTER BALANCE
CC	POLE GUIDE CLOSE
CCB	COMPENSATION CYLINDER BASE
CCR	COMPENSATION CYLINDER ROD
CCW	COUNTERCLOCKWISE
CER	CUSTOMER ENGINEERING REQUEST
CERT	CERTIFICATION
CH C/R	# CHANNEL - COLLECTOR RING
CHHA	HANDLE TYPE

ABBREVIATION	DEFINITION
CID	CUBIC INCH DISPLACEMENT
CM	COMMANDER
CMDR	COMMANDER
CMPND	COMPOUND
CMT	CORNER MOUNT
CNSL	CONSOLE
CNTRL	CONTROL
CNTRLS	CONTROLS
CO	POLE GUIDE OPEN
COLL	COLLECTOR
COLL BLK	COLLECTOR BLOCK
COMP	COMPENSATION LINE PORT
CON	CONNECTOR
CONN.	CONNECTOR
CONT	CONTINUOUS
CR	CONSOLE CONTROLS REVERSE - OPERATOR FACES FRONT OF TRUCK
CT	CONSOLE CONTROLS PARALLEL - OPERATOR FACES REAR OF TRUCK
CT/45	CONSOLE CONTROLS 45 MOUNT - OPERATOR FACES REAR OF TRUCK
CT/90	CONSOLE CONTROLS 90 MOUNT - OPERATOR FACES SIDE OF TRUCK
CTI	CONTROLS TOP INSULATED
CTR	CENTER-MOUNT
CTR	CONSOLE TOP REVERSE
CTR MT	CENTER MOUNT
CTRL	CONTROLS
CV	CHECK VALVE
CVDD	CHECK VALVE DIG DIG
CVDW	CHECK VALVE DIG WINCH
CVHA	HANDLE TYPE
CVHOP2E	CHECK VALVE HOP 2ND EXTEND

ABBREVIATION	DEFINITION
CVHOPLD	CHECK VALVE HOP LIFT DOWN
CVHOPTPP3E	CHECK VALVE HOP TILT POLE PLUMBER 3RD EXTEND
CVWU	CHECK VALVE WINCH UP
CW	CLOCKWISE
CYL	CYLINDER
D	DRAIN
D(#)	DRAIN PORT #
D/W	DIGGER - WINCH
DB	DECIBLES
DBC MTG	DIRECTLY BEHIND CAB MOUNTING
DC	DC POWER
DCL	DECAL
DD	DIGGER DERRICK
DEG	DEGREE
DET	DETENT
DGR	DIGGER
DIA.	DIAMETER
DIFF	DIFFERENTIAL
DIR	DIRECT ACTING
DNGR	DANGER
DP	DERRICK PRESSURE
DR	DRAIN OR DIG REVERSE
DS	DIGGER SHIFT
DWG	DRAWING
DZ	SHAPE OF SEAL
ECO	ENGINEERING CHANGE ORDER
EHD	EXTRA HEAVY DUTY
EHV	EXTRA HIGH VOLTAGE
ELC	ELECTRONIC LOAD CHART
ELEC	ELECTRIC
ELECT	ELECTRIC

ABBREVIATION	DEFINITION
EMG	EMERGENCY
EMRG	EMERGENCY
ENA	ENABLE
ESK	ESKRIDGE
ESK 71 BA	ESKRIDGE 71 BA DIGGER (12,000 LB.)
ESNA	TYPE OF SELF LOCKING FASTENER
EVH	ENABLE VALVE HIGH
EVL	ENABLE VALVE LOW
EXT	EXTEND OR EXTRA
F.O. + F/O	FIBER OPTIC
F/W	FLAT WASHER
FBG	FIBERGLASS
FFSX	FEMALE FACE SEAL
FG	FIBERGLASS
FHMS	FLAT HEAD MACHINE SCREW
FHSCS	FLAT HEAD SOCKET CAP SCREW
FJ	FEMALE JIC FITTING
FJX	FEMALE JIC FITTING
FLG	FLANGE
FLT	FLAT
FNPT	FEMALE PIPE FITTING
FOC	FIBER OPTIC CONTROLS
FR	FLOW REGULATOR
FTG	FITTING
FTGS	FITTINGS
FUNC	FUNCTION
FW	FLAT WASHER
FWD	FORWARD
G(#)	GAUGE PORT #
G/P	GENERAL PURPOSE CONTROLS
GA	GAUGE
GAWR	GROSS AXLE WEIGHT RATING

ABBREVIATION	DEFINITION
GFI	GROUND FAULT CIRCUIT INTERRUPTER
GPM	GALLONS PER MINUTE
GR	GRADE
GVW	GROSS VEHICLE WEIGHT
GVWR	GROSS VEHICLE WEIGHT RATING
H/R	HANDLE RACK CONTROLS
H/V	HOLDING VALVE
HBOLT	HEX BOLT
HD	HEAVY DUTY
HDG	HOT DIPPED GALVENIZED
HEX	HEXAGON
HFTC	SLOTTED HEX WASHER CUTTING SCREW
HHCS	HEX HEAD CAP SCREW
HHMS	HEX HEAD MACHINE SCREW
HJNUT	HEX JAM NUT
HNUT	HEX NUT
HOP	HYDRAULIC OVERLOAD PROTECTION
HOP DUMP	HOP DUMP PILOT PORT
HR	UNIT TYPE (HR) OR HI-RANGER
HRD	HARD
HSHSS	HEX SOCKET HEAD SET SCREW
HTR	HEATER
HVY	HEAVY
HYD	HYDRAULIC
I.D.	IDENTIFICATION
ID	INSIDE DIAMETER
ILO	IN LIEU OF
INST	INSTALL
INSTAL	INSTALLATION
INSTR	INSTRUCTIONS
INTRLCK	INTERLOCK
ISO	INTERNATIONAL STANDARDS ORGANIZATION

ABBREVIATION	DEFINITION
J/W	JIB AND WINCH
JY	ENABLE OUT TO JOY STICK
L.H.	LEFT HAND
L/C	LOWER CONTROLS
LB	POUND OR LOWER BOOM
LBR	LOWER BOOM RETRACT
LCV	LOWER CONTROL VALVE
LCVP	LOWER CONTROL VALVE PRESSURE
LCVT	LOWER CONTROL VALVE TANK
LD	LIFT DOWN, OR LOAD SENSE DISABLE
LEV	LEVELING
LG	LONG
LH	LEFT HAND
LK	LOCK (LOCK WASHER)
LL	LOWER LEVEL
LS	LOAD SENSE
LS(#)	LOAD SENSE #
LSD	LOAD SENSE DIG
LSDW	LOAD SENSE DIG WINCH
LSW	LOAD SENSE WINCH
LU	LIFT UP
LW	LOCK WASHER
LWR	LOWER
LWRD	LOWERD
MACH	MACHINE
MAN	MANUAL
MATL	MATERIAL
MBL	MALE BOSS LONG
MECH	MECHANICAL
MED	MEDIUM
MFS	MALE FACE SEAL
MFSBLKHD	MALE FACE SEAL BULKHEAD

ABBREVIATION	DEFINITION
MJ	MALE JIC
MJBLKHD	MALE JIC BULKHEAD
MJIC	MALE JIC
MKI	MARK I DIGGER (5,500 LB.)
MKII	MARK II DIGGER (8,700 LB.)
MKIII	MARK III DIGGER (14,000 LB.)
MNPT	MALE PIPE THREAD
MNT	MOUNT
MOD	MODIFIED
MSHXNUT	MACHINE SCREW HEX NUT
MT	MOUNT
MTD	MOUNTED
MTG	MOUNTING
MTW	MOUNT WITH
MV(#)	MANUAL VALVE #
N.C.	NORMALLY CLOSED
N.O.	NORMALLY OPEN
NC	NATIONAL COURSE THREAD
NEUT	NEUTRAL
NF	NATIONAL FINE THREAD
NONSEQ	NON-SEQUENTIAL
NPT	PIPE THREAD
NS	NOT SHOWN
NYL	NYLON
O/R	OUTRIGGER
OC	OVER CENTER
OD	OUTSIDE DIAMETER
OM	UNIT TYPE (OM)
OP	OPTION VALVE PRESSURE
OR	OPTION VALVE RETURN
OR(#)	ORIFICE #
ORA	OVER REAR AXLE

ABBREVIATION	DEFINITION
ORF	ORIFICE
ORFS	O-RING FACE SEAL
OTR	OUTER
P	PRESSURE IN OR PILOT
P(#)	PRESSURE PORT #
P/B	POLE BUDDY
P2E3E	PILOT 2ND EXTEND 3RD EXTEND
P2R3R	PILOT 2ND RETRACT 3RD RETRACT
PA	PILOT ASSIST
PAR	PILOT ASSIST RETURN
PARA	PARALLEL
PARR	PARALLEL
PASS	PASSENGER
PB	POWER BEYOND OR POSSUM BELLY
PC	PIECE
PC	PARALLELOGRAM CONTROL
PCC	POLE GUIDE CLOSE
PCK	PACK
PCT	POLE GUIDE TILT
PD(#)	PILOT DIRECTIONAL VALVE #
PDDWD	PILOT DIG DIG WINCH DOWN
PDRWU	PILOT DIG REVERSE WINCH UP
PE	PILOT ENABLE
PE2	PILOT ENABLE 2ND
PE3	PILOT ENABLE 3RD
PED	PILOT ENABLE DIG
PEL	PILOT ENABLE LIFT
PER	PILOT ENABLE ROTATION
PERF	PERFORMANCE OR PERFORATED
PEW	PILOT ENABLE WINCH
PG	POLE GUIDE WINCH
PGW	POLE GUIDE WINCH

ABBREVIATION	DEFINITION
PHIGH	PRESSURE IN-HIGH SIDE OF MANIFOLD
PHS	PLASTIC HEADED SCREW
PKG	PACKAGE
PLATF	PLATFORM
PLD	PILOT LIFT DOWN
PLNTY	PLANETARY
PLOW	PRESSURE IN-LOW SIDE OF MANIFOLD
PLTF	PLATFORM
PLTFM	PLATFORM
PLU	PILOT LIFT UP
PNT	POINT
PO	PILOT OPERATED CHECK VALVE
POS	POSITION
POSIT	POSITION
PPHS	PHILLIPS DRIVE PAN HEAD SCREW
PR	PRESSURE REDUCING VALVE OR REDUCED PRESSURE PORT
PR(#)	PRESSURE REDUCING VALVE #
PRCCW	PILOT ROTATION COUNTERCLOCKWISE
PRCW	PILOT ROTATION CLOCKWISE
PRES	PRESSURE
PRRV	PRESSURE REDUCING RELIEVING VALVE
PS	PRESSURE SWITCH
PS(#)	PRESSURE SENSE VALVE #
PTO	POWER TAKE OFF
R.H.	RIGHT HAND
R/P	REPLACEMENT PARTS
RA	REAR AXLE
RCCW	ROTATION COUNTERCLOCKWISE
RCW	ROTATION CLOCKWISE
RD	ROUND
RED.	REDUCING
ISO	INTERNATIONAL STANDARDS ORGANIZATION

ABBREVIATION	DEFINITION
RELF	RELIEF
REP	REPLACED
REQ	REQUIRED
RET	RETRACTED
RH	RIGHT HAND
RHMS	ROUND HEAD MACHINE SCREW
RM	REAR MOUNT WINCH
RND	ROUND
ROT	ROTATION
ROT LS	ROTATION LOAD SENSE
ROT'N	ROTATION
RP	REDUCED PRESSURE
RSL	SPRING RETURN HOSE REEL
RTV	ROOM TEMPERATURE VUCANIZING
RV	RELIEF VALVE
RVH	RELIEF VALVE HIGH
RVL	RELIEF VALVE LOW
S(#)	SOLENOID VALVE #
S/A	SWING AWAY CONTROLS
S/L	SHIP LOOSE
S/S	STOP/START
SAE	SOCIETY OF AUTOMOTIVE ENGINEERS
SBHCSCREW	SOCKET BUTTON HEAD CAP SCREW
SBT	STAND BESIDE TOWER HANDLE RACK
SC	SCREEN OR FILTER
SCHCSCREW	SOCKET COUNTERSUNK HEAD CAP SCREW
SEC	SECONDARY
SECT	SECTION
SEL	SELECTOR
SEQ	SEQUENTIAL
SGL	SINGLE
SH	SHUTTLE VALVE

ABBREVIATION	DEFINITION
SHCS	SOCKET HEAD CAP SCREW
SHSLDS	SOCKET HEAD SHOULDER BOLT
SHSS	SOCKET HEAD SET SCREW
SKT	SOCKET
SL	SLOTTED HEX WASHER CUTTING SCREW
SP	SPRING
SPD	SPEED
SPEC	SPECIFICATION
SPL	SPOOL
SPR	SPRING
SPRG	SPRING
SRHMS	SLOTTED ROUND HEAD MACHINE SCREW
SS	SINGLE STICK
SSCUPSKT	SET SCREW CUP SOCKET
STD	STANDARD
STG	STORAGE
STGR	STINGER
STK	STICK
STL	STEEL
STR	STRAIGHT
SV(#)	SOLENOID VALVE #
SV2E3E	SOLENOID VALVE 2ND EXTEND 3RD EXTEND
SV2R3R	SOLENOID VALVE 2ND RETRACT 3RD RETRACT
SVC	SOLENOID VALVE POLE GUIDE
SVDDWD	SOLENOID VALVE DIG DIG WINCH DOWN
SVDRWU	SOLENOID VALVE DIG REVERSE WINCH UP
SVEN	SOLENOID VALVE ENABLE
SVT	SOLENOID VALVE TILT
SW	SWITCH
SYS	SYSTEM
T	TANK OR RESERVOIR
T.P.P.	TILT POLE PLUMBER

ABBREVIATION	DEFINITION
T/C	TOWER CONTROLS
T1H	TANK PORT #1-HIGH SIDE OF MANIFOLD
T2L	TANK PORT #2-LOW SIDE OF MANIFOLD
TAB	TAB (LIKE A SPACER)
TC	MODEL TYPE (TC)
TCX	MODEL TYPE (TCX)
TD	TILT DOWN
TEE	FITTING THAT IS "T-SHAPED"
TELE	TELESCOPING
TELETUBES	TELESCOPING DIGGER AND/OR WINCH TUBES
THC	SINGLE STICK "T" HANDLE CONTROL
THD	THREAD
THK	THICK
THMS	SLOTTED DRIVE TRUSS HEAD MACHINE SCREW
THRD	THIRD
THTL	THROTTLE
TLM	UNIT TYPE (TLM)
TM	UNIT TYPE (TM)
TM	TURRET MOUNT WINCH
TOOLH	TOOL PORT-HIGH SIDE OF MANIFOLD
TOOLL	TOOL PORT-LOW SIDE OF MANIFOLD
TPL	UNIT TYPE (TPL)
TPP	TILT POLE PLUMBER
TPP INTK	TILT POLE PLUMBER INTERLOCK
TRKG	TRACKING
TT	TURNTABLE
TU	TILT UP
TWR	TOWER
TWT	TYPE OF AUGER TOOTH/ BIT
TXFR	TRANSFER
TXFR TPP	TRANSFERRABLE TILT POLE PLUMBER
UB	UPPER BOOM

ABBREVIATION	DEFINITION
UBD	UPPER BOOM DOWN
UBU	UPPER BOOM UP
UC	UPPER CONTROL
UCV	UPPER CONTROL VALVE
UHMW	PLASTIC MATERIAL TYPE
UNC	UNIFIED NATIONAL COURSE THREAD
UNF	UNIFIED NATIONAL FINE THREAD
USS	UNITED STATES STANDARD THREAD
VAC	VACUUM OR VOLTAGE AC
VDC	VOLTAGE DC
VERT	VERTICAL
VLV	VALVE
W/	WITH
W/HOLE	WITH HOLE
W/O	WITHOUT
WB	WHEEL BASE
WD	WINCH DOWN
WELDT	WELDMENT
WIN	WINCH
WK MTG	WALK THROUGH MOUNTING
WLDNUT	WELDNUT
WSHR	WASHER
WT	WEIGHT
WTH	WALK THROUGH
WTHR	WEATHERPACK
WTHRPK	SAME AS ABOVE
WU	WINCH UP
XFER	TRANSFERRABLE
XT	UNIT XYPE (XT)
YZ	YELLOW ZINC
YZP	YELLOW ZINC PLATE
ZP	ZINC PLATE



FOR FURTHER ASSISTANCE,
CONTACT THE TEREX UTILITIES TECHNICAL SUPPORT TEAM
PHONE: **1-844-TEREX4U (1-844-837-3948)** | EMAIL: **UTILITIES.SERVICE@TEREX.COM**
