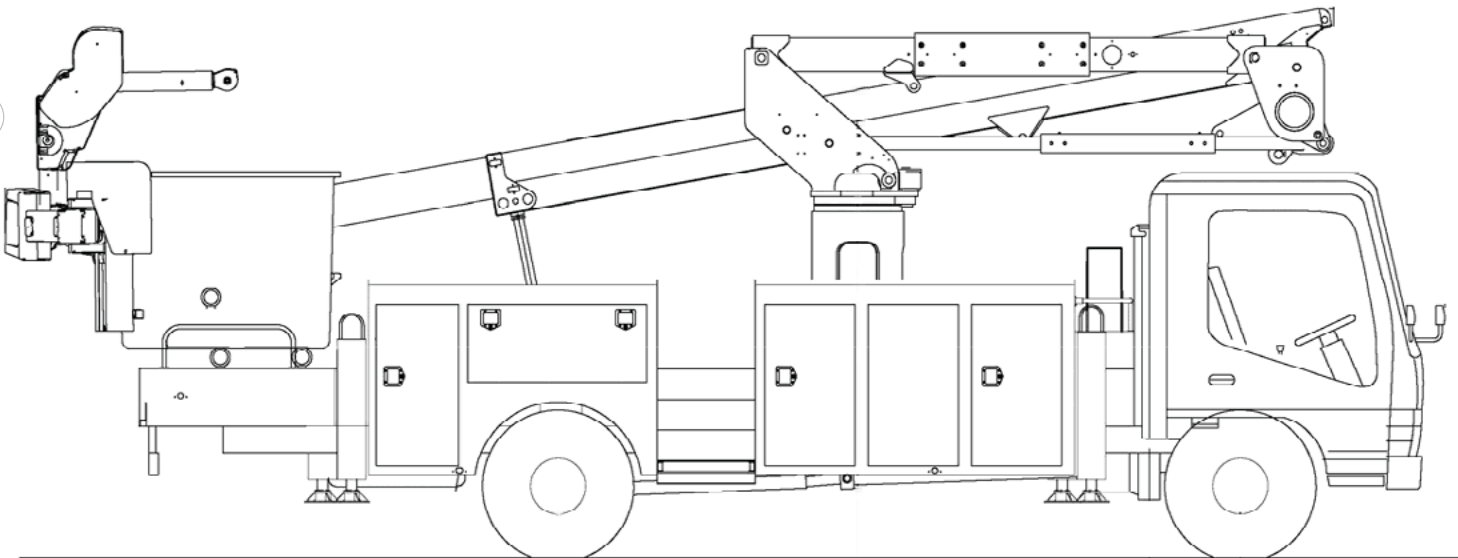




# TECH TIPS

LOSS OF COMMUNICATION BETWEEN THE TRANSMITTER AND RECEIVER

NO. 68



**SERVICE CALL:**  
LOSS OF COMMUNICATION  
BETWEEN THE TRANSMITTER  
AND RECEIVER



**MODEL(S):**  
TL171  
SWING ARM RADIO SYSTEM -  
H71-000011



**TOOLS NEEDED:**  
½" WRENCH OR SOCKET  
4MM ALLEN WRENCH  
MULTIMETER

TEREX UTILITIES TECHNICAL SUPPORT TEAM

PHONE: 1-844-TEREX4U (1-844-837-3948) | EMAIL: [UTILITIES.SERVICE@TEREX.COM](mailto:UTILITIES.SERVICE@TEREX.COM)



## **DANGER**

Failure to obey the instructions and safety rules in the appropriate Operator's Manual and Service Manual for your machine will result in death or serious injury.

Many of the hazards identified in the Operator's Manual are also safety hazards when maintenance and repair procedures are performed.

## **DO NOT PERFORM MAINTENANCE UNLESS:**

- ✓ You are trained and qualified to perform maintenance on this machine.
- ✓ You read, understand and obey:
  - manufacturer's instructions and safety rules
  - employer's safety rules and worksite regulations
  - applicable governmental regulations
- ✓ You have the appropriate tools, lifting equipment and a suitable workshop.

The information contained in this Tech Tip is a supplement to the Service Manual. Consult the appropriate Service Manual of your machine for safety rules and hazards.



TECH TIP 68 | RELEASED 09.06.2022 | VERSION 1.0  
©TEREX UTILITIES. ALL RIGHTS RESERVED

# CONTENTS

## TECH TIP #68

### TOC

4

| *Reset communication*

**STEP 1 - STEP 3**

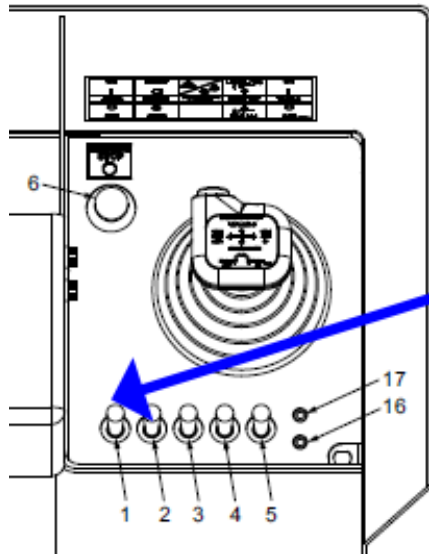
5

**TROUBLESHOOTING**

# RESET COMMUNICATION

## STEP 1

Turn off the transmitter power switch #1 for three seconds.



## STEP 2

Turn on transmitter power switch #1 and verify that LED #16 is ON.

If LED #16 is OFF, check to see if the radio has been set to lower controls instead of upper controls. If not, set to upper controls and repeat.

## STEP 3

After 3 to 6 seconds, LED #17 should start to blink. If not, repeat Steps 1 thru 3. The transmitter has six possible channels for communication with the receiver. A new channel is selected each time Steps 1-3 are completed until one is found that provides a clear signal with no interference.

## TROUBLESHOOTING

### Complaint

Transmitter and receiver continuously drop communication.

### Solution

Check the transmitter and receiver antennas for a loose connection, corrosion at the sockets or damage. Repair or replace as necessary.

Check the voltage of the transmitter battery for 3.6 VDC to 3.4 VDC.

### Complaint

Generator cycling for 59 minutes at regular intervals.

### Solution

Normally, the hydraulic generator will cycle for up to 5 minutes to test and charge the battery. If the battery charge is normal, then the generator will shut off. The generator will cycle throughout the workday to keep the battery in peak condition. If the battery has a low charge, then the generator will cycle for 59 minutes to fully charge the battery. If this longer cycle begins to happen frequently, it may be an indication that the battery condition is diminishing and requires replacement.

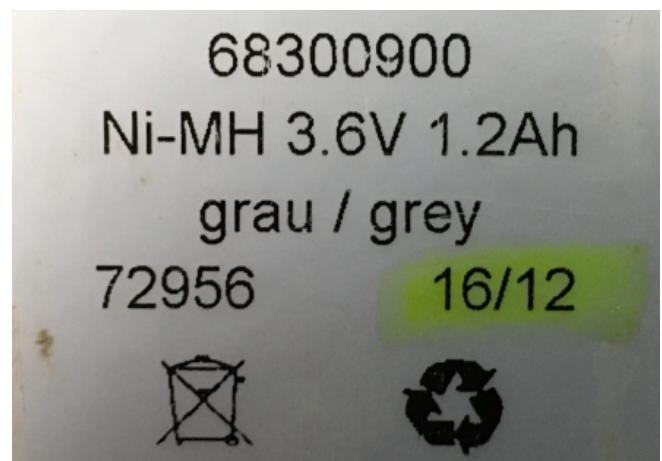
### Complaint

Determining when the batteries were manufactured.

### Solution

The first set of two numbers indicates the week that the battery was manufactured. The second set of numbers is the year the batteries were manufactured.

In the example below, the batteries were manufactured in the 16th week of 2012.





FOR FURTHER ASSISTANCE,  
CONTACT THE TEREX UTILITIES TECHNICAL SUPPORT TEAM  
PHONE: **1-844-TEREX4U (1-844-837-3948)** | EMAIL: [UTILITIES.SERVICE@TEREX.COM](mailto:UTILITIES.SERVICE@TEREX.COM)

---