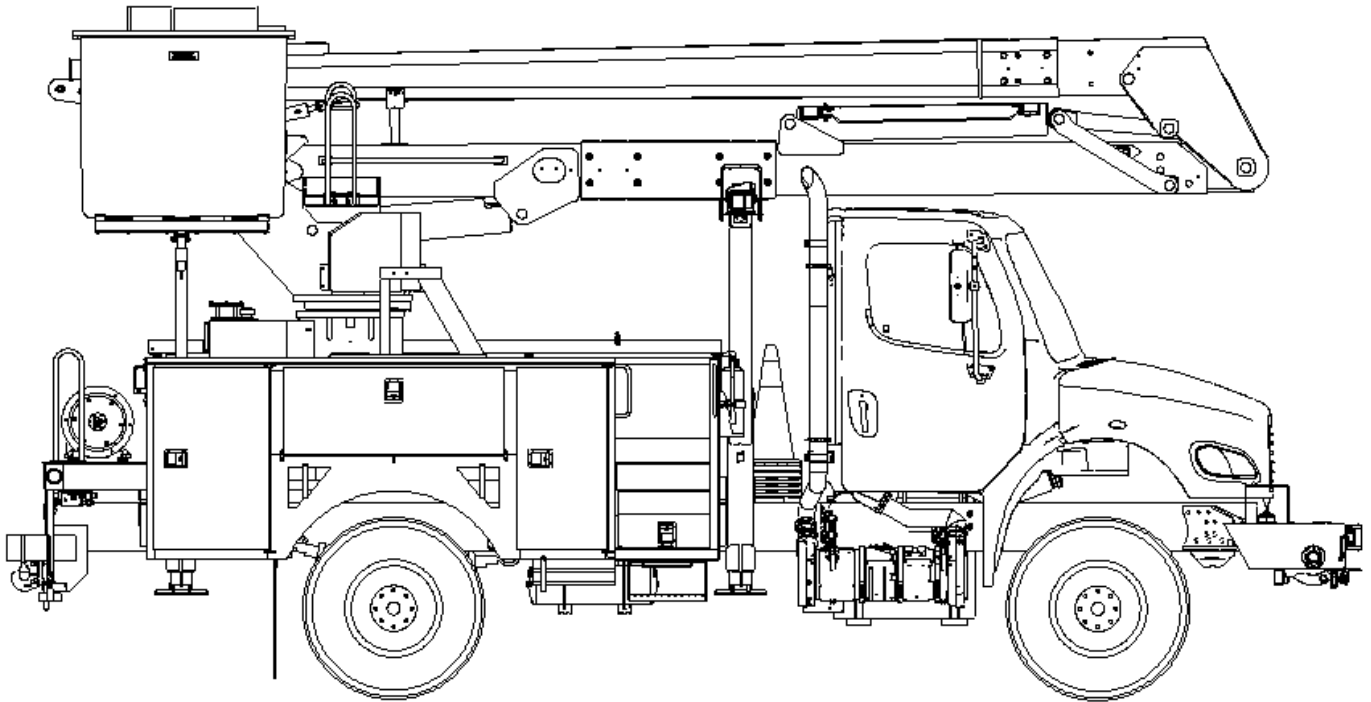




TECH TIPS

THREADS PROTECTOR PARTS LIST

NO. 76



GENERAL KNOWLEDGE
THREAD PROTECTOR PARTS LIST



MODEL(S):
ALL TEREX UTILITIES EQUIPMENT



TOOLS NEEDED:
NONE

TEREX UTILITIES TECHNICAL SUPPORT TEAM

PHONE: 1-844-TEREX4U (1-844-837-3948) | EMAIL: UTILITIES.SERVICE@TEREX.COM



DANGER

Failure to obey the instructions and safety rules in the appropriate Operator's Manual and Service Manual for your machine will result in death or serious injury.

Many of the hazards identified in the Operator's Manual are also safety hazards when maintenance and repair procedures are performed.

DO NOT PERFORM MAINTENANCE UNLESS:

- ✓ You are trained and qualified to perform maintenance on this machine.
- ✓ You read, understand and obey:
 - manufacturer's instructions and safety rules
 - employer's safety rules and worksite regulations
 - applicable governmental regulations
- ✓ You have the appropriate tools, lifting equipment and a suitable workshop.

The information contained in this Tech Tip is a supplement to the Service Manual. Consult the appropriate Service Manual of your machine for safety rules and hazards.



TECH TIP 76 | RELEASED 09.16.2022 | VERSION 1.0
©TEREX UTILITIES. ALL RIGHTS RESERVED

CONTENTS

TECH TIP#76

TOC

4

| *Thread list*

INTRODUCTION

INTRODUCTION

Thread protectors are used to protect the threads on pins when they are being removed. They are also tapered to help alignment when mating the parts being assembled.

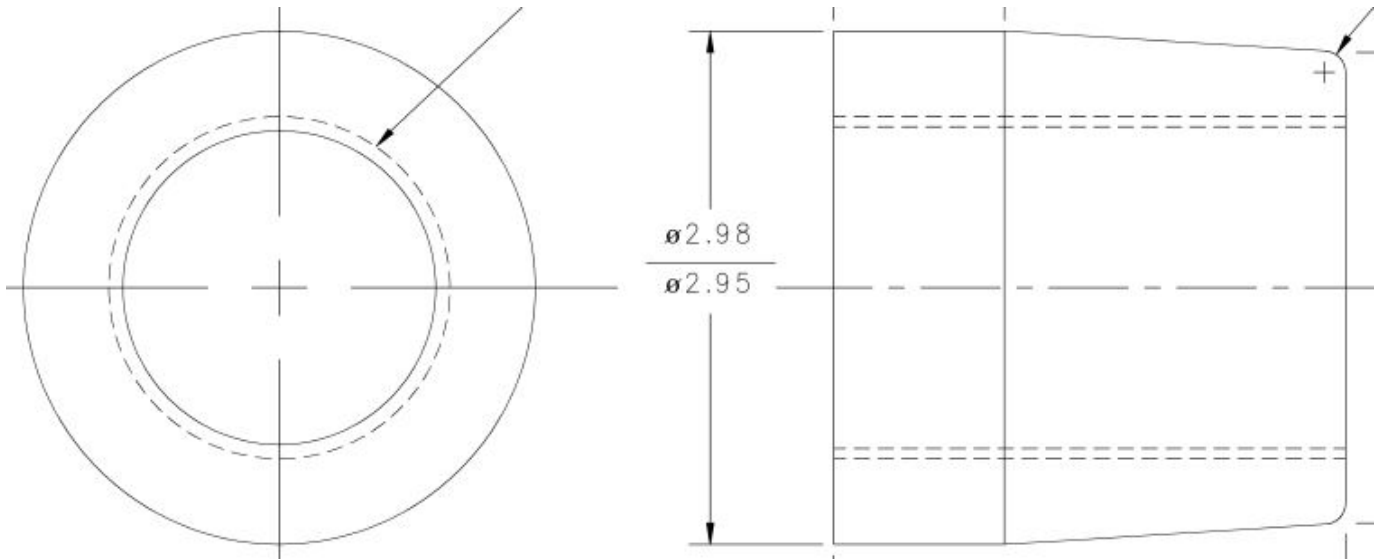


FIGURE 1 - Example

The next page contains a complete list of thread protectors available for purchase through Replacement Parts: 1-844-Terex4U (1-844-837-3948).

NUMBER	OD	THREAD	LENGTH
ME2295	1.18	1.00-14	1.5
ME2365	2.25	1.50-12	3
ME2366	2.5	1.75-12	3
415955	1.75	1.50-12	2.63
415956	2	1.75-12	2.38
415957	2.25	2.00-12	2.38
444512	2.25	1.50-12	3
458891	2.5	2.00-12	2.38
484682	2.5	1.50-12	1.75
462171	2.75	2.00-12	2.38
443715	3	2.50-12	3
443753	3	2.00-12	3
443716	3.25	2.50-12	3
443754	3.25	2.00-12	3
443755	3.25	2.25-12	3
HE1031	2.25	1.50-12	2.5
HE1238	2.74	1.50-12	2
HE1239	2.74	2.00-12	3
HE1579	2.25	1.75-12	2.25
HE1721	3.5	2.00-12	2.5
HE1729	4	2.50-12	4
HE2510	4	2.00-12	2.63
HE2511	3	1.50-12	1.63
HE3620	4	2.00-12	2.5
HE4191	3.25	1.50-12	2.5
HE4502	2.25	1.50-12	2
HE4524	2.25	1.50-12	2.5
HE4545	3	2.00-12	2.5
HE4623	2.75	2.25-12	2.5



FOR FURTHER ASSISTANCE,
CONTACT THE TEREX UTILITIES TECHNICAL SUPPORT TEAM
PHONE: **1-844-TEREX4U (1-844-837-3948)** | EMAIL: **UTILITIES.SERVICE@TEREX.COM**
