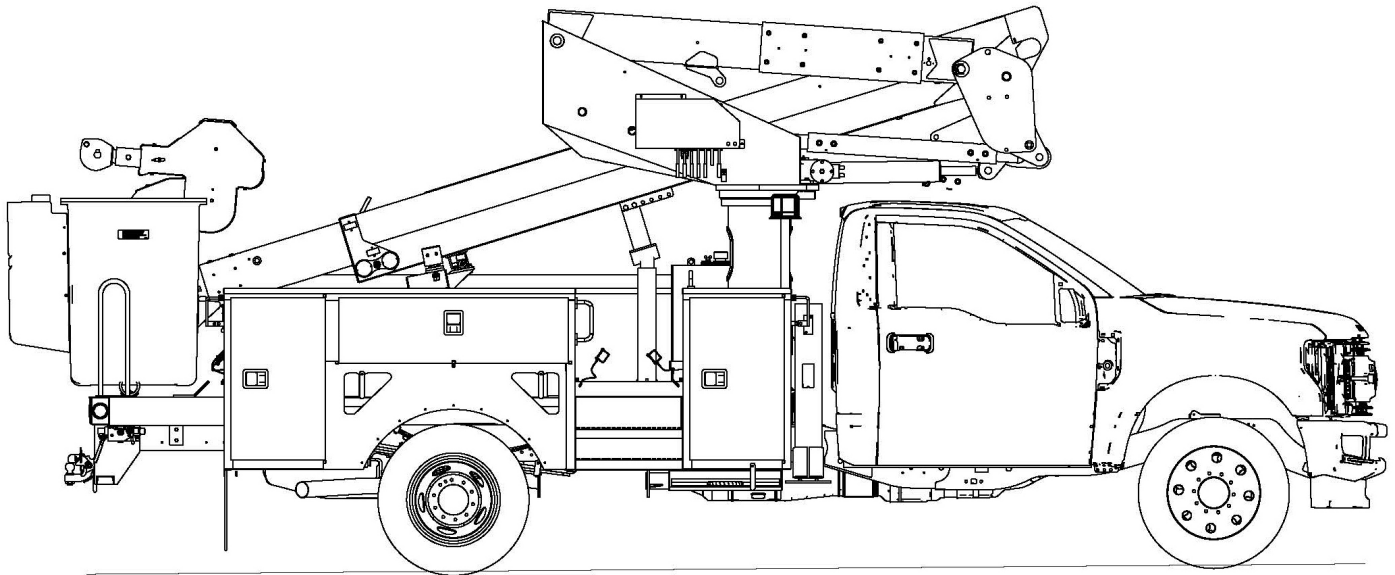




TECH TIPS

PROGRAMMING GEN 2 COMBO CONTROLLER

NO. 78



SERVICE CALL:
PROGRAMMING GEN 2 COMBO
CONTROLLER



MODEL(S):
ALL TEREX UNITS WITH A
SECOND GENERATION CHASSIS
CONTROLLER (COMBO
CONTROLLER)



TOOLS NEEDED:
COMPUTER
INTERNET ACCESS
EMPTY FLASH DRIVE

TEREX UTILITIES TECHNICAL SUPPORT TEAM

PHONE: 1-844-TEREX4U (1-844-837-3948) | EMAIL: UTILITIES.SERVICE@TEREX.COM



DANGER

Failure to obey the instructions and safety rules in the appropriate Operator's Manual and Service Manual for your machine will result in death or serious injury.

Many of the hazards identified in the Operator's Manual are also safety hazards when maintenance and repair procedures are performed.

DO NOT PERFORM MAINTENANCE UNLESS:

- ✓ You are trained and qualified to perform maintenance on this machine.
- ✓ You read, understand and obey:
 - manufacturer's instructions and safety rules
 - employer's safety rules and worksite regulations
 - applicable governmental regulations
- ✓ You have the appropriate tools, lifting equipment and a suitable workshop.

The information contained in this Tech Tip is a supplement to the Service Manual. Consult the appropriate Service Manual of your machine for safety rules and hazards.



TECH TIP xx | RELEASED 09.16.2022 | VERSION 1.0
©TEREX UTILITIES. ALL RIGHTS RESERVED

CONTENTS

TECH TIP #78

TOC

4

| Contact Terex Support for files

| Insert flash drive

STEP 1 - STEP 4

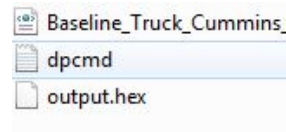
STEP 1

The Terex Chassis Gen 2 Combo Controller will either be installed on the back wall of the cab or under the bench seat.



STEP 2

Contact the Terex Utilities Technical Support Team at 1-844-Terex4U (1-844-837-3948) or utilities.service@terex.com to get the unit specific files to program the chassis controller. You will be required to provide a serial number. The three files provided for the unit will need to be copied onto an empty flash drive.



STEP 3

Turn the ignition key to the ON position without starting the engine. This will turn the chassis controller ON without the engine running.

Note: The Combo controller needs to see 12v input from the power lug on the side and also 12v from ignition on the orange wire going into K1 on combo controller. If you have power on one and not the other the board will not turn on.

Note: Nothing on the switch panel needs to be turned on to program the controller.

STEP 4

Insert the flash drive into the USB slot in the chassis controller. Lights will flash rapidly while the program loads. When all LED lights are solid the program has been loaded successfully and the flash drive can be removed. If a fault light is blinking refer to **Tech-tip 81**.

Figure 3 shows the lights during normal operation. **Figure 4** show the lights when the program is loaded.



FIGURE 3 - Normal Operation



FIGURE 4 - Program Loaded



FOR FURTHER ASSISTANCE,
CONTACT THE TEREX UTILITIES TECHNICAL SUPPORT TEAM
PHONE: **1-844-TEREX4U (1-844-837-3948)** | EMAIL: **UTILITIES.SERVICE@TEREX.COM**
