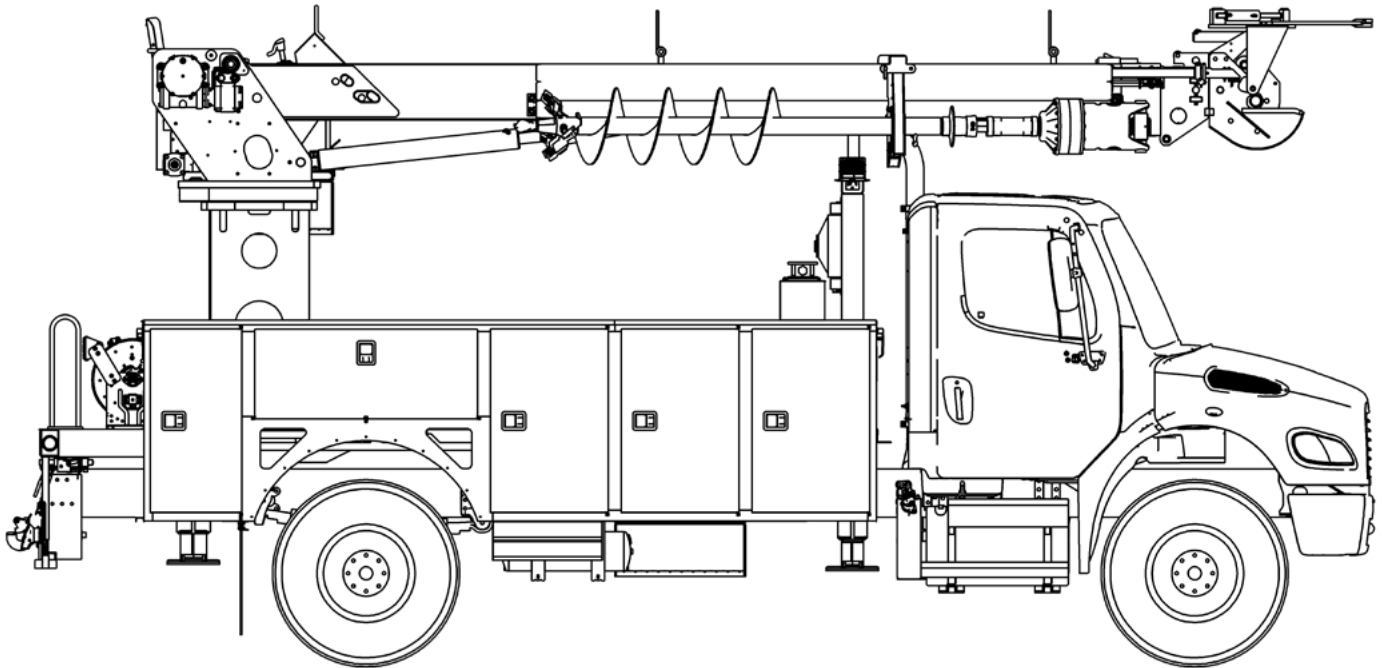




TECH TIPS

CHECKING THE OIL LEVEL IN A PG WINCH

NO. 85



SERVICE CALL:
CHECKING THE OIL LEVEL IN A
PG WINCH



MODEL(S):
TEREX DIGGER DERRICKS WITH A
PG WINCH



TOOLS NEEDED:
HEX KEY WRENCH SET
OIL DRAIN PAN

TEREX UTILITIES TECHNICAL SUPPORT TEAM

PHONE: 1-844-TEREX4U (1-844-837-3948) | EMAIL: UTILITIES.SERVICE@TEREX.COM



DANGER

Failure to obey the instructions and safety rules in the appropriate Operator's Manual and Service Manual for your machine will result in death or serious injury.

Many of the hazards identified in the Operator's Manual are also safety hazards when maintenance and repair procedures are performed.

DO NOT PERFORM MAINTENANCE UNLESS:

- ✓ You are trained and qualified to perform maintenance on this machine.
- ✓ You read, understand and obey:
 - manufacturer's instructions and safety rules
 - employer's safety rules and worksite regulations
 - applicable governmental regulations
- ✓ You have the appropriate tools, lifting equipment and a suitable workshop.

The information contained in this Tech Tip is a supplement to the Service Manual. Consult the appropriate Service Manual of your machine for safety rules and hazards.



TECH TIP 85 | RELEASED 09.20.2022 | VERSION 1.0
©TEREX UTILITIES. ALL RIGHTS RESERVED

CONTENTS

TECH TIP #85

4 INTRODUCTION

6 | *Drain winch gearbox*
STEP 1 - STEP 4

INTRODUCTION

Maintain proper oil levels in the gearboxes to dissipate heat. Too much or too little oil in the gearbox may lead to premature failure.

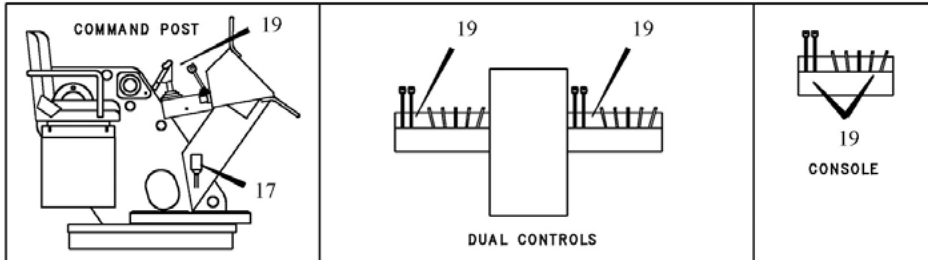
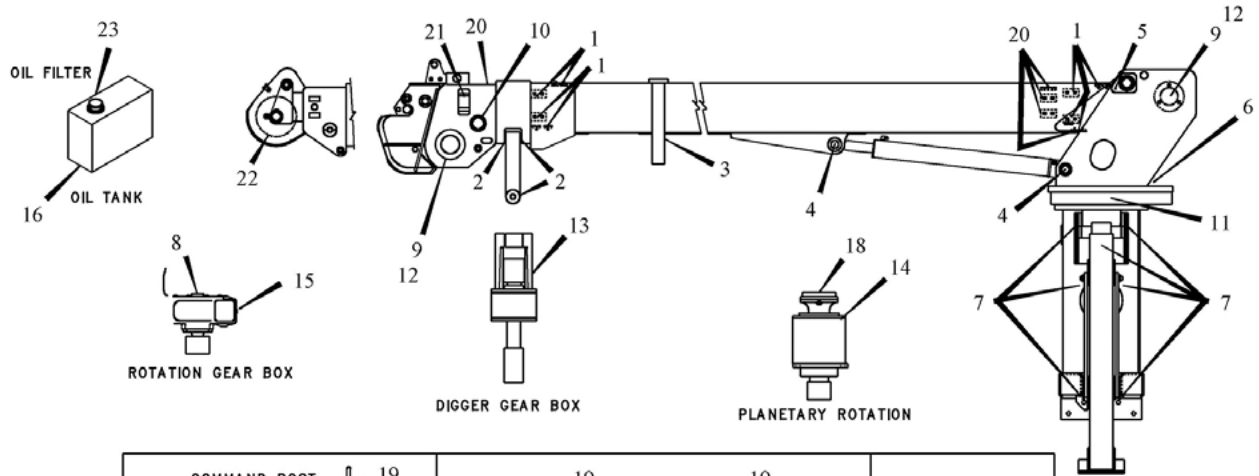
Due to how the winch gearbox is mounted on the boom tip shown in **Figure 1**, using the oil level hole will not provide an accurate measurement of the oil in the gearbox.

According to the maintenance manual, the oil should be drained and refilled every 6 months. Consult the lube chart mounted on the unit and the unit specific maintenance manual for the proper fluid to be added and the maintenance interval. **Figure 2**



FIGURE 1

TEREX TELELECT DIGGER DERRICK



| ITEM | LUBRICATION POINT | QTY | TYPE OF LUBRICATION | SERVICE | |
|------|-----------------------------|-----|--------------------------------|----------------------|----------------|
| | | | | INTERVAL | METHOD |
| 1 | 2ND BOOM WEAR PADS | A/R | LITHIUM-BASE EP #2 GREASE | 360 HOURS OR 90 DAYS | GREASE GUN |
| 2 | DIGGER BRACKET | 4 | | | |
| 3 | AUGER STORAGE BRACKET | 1 | | | |
| 4 | LIFT CYLINDER BEARINGS | 4 | | | |
| 5 | BOOM PIVOT BEARINGS | 2 | | | |
| 6 | TURN TABLE BEARING | *1 | | | |
| 7 | JACKS, SWING SLANT | 10 | | | |
| 8 | ROTATION GEAR BOX BEARING | 1 | | | |
| 9 | WINCH DRUM | 1 | | | |
| 10 | HYDRAULIC 3RD ROLLERS | 2 | | | |
| 11 | ROTATION GEAR TEETH | *1 | | | |
| 12 | WINCH GEAR BOX | **1 | GL-5 EP GEARLUBE 85W140 | 360 HOURS OR 90 DAYS | BRUSH |
| 13 | DIGGER GEAR BOX | 1 | GL-5 EP GEARLUBE 80W90 | 360 HOURS OR 90 DAYS | ***FILL IF LOW |
| 14 | PLANETARY ROTATION GEAR BOX | 1 | GL-5 EP GEARLUBE 80W90 | | |
| 15 | WORM ROTATION GEAR BOX | 1 | MOBILUX EP 023 | CHECK DAILY | |
| 16 | HYDRAULIC RESERVE TANK | 1 | PREMIUM ISO 15 HYD FLUID | | |
| 17 | THROTTLE RESERVOIR | 1 | HYD FLUID MIL-5606A | 360 HOURS OR 90 DAYS | GREASE GUN |
| 18 | PLANETARY BRAKE | 1 | HYD FLUID MIL-5606A | | |
| 19 | CONTROL LEVERS | A/R | LUBRICATING OIL | 360 HOURS OR 90 DAYS | SPRAY |
| 20 | FBG 3RD WEAR PADS | A/R | LITHIUM EP #2 GREASE | | |
| 21 | 3RD SIDE ROLLERS | 4 | SILICONE | WEEKLY | |
| 22 | SHEAVES | A/R | SILICONE | | |
| 23 | RETURN LINE FILTER | 1 | REPLACE FILTER EVERY 250 HOURS | | |

USE THE ABOVE PRODUCTS OR EQUIVALENT
 * LUBE SPARINGLY EVERY 1/8 REVOLUTION.
 ** FOR SERVICE BELOW -20°F. CONSULT OIL SUPPLIER.
 *** DRAIN AND REFILL WHEN CONTAMINATED.

NOTE: ALL MOVING PARTS NOT EQUIPPED WITH GREASE FITTINGS SHOULD BE LUBRICATED WITH LPS-1 OR EQUIVALENT LUBRICANT EVERY 90 DAYS.

NOTE: ALWAYS LUBRICATE ITEMS WHEN DIS-ASSEMBLED. DERRICKS MAY VARY SLIGHTLY WITH OPTIONS. LUBRICATE PER MANUAL.

443818D

FIGURE 2

STEP 1

Locate unit in a safe location and operate the boom allow access to the PG (Pole Guide) winch from the ground.

STEP 2

Position a drain pan under the winch gearbox and remove the drain plug. **Figure 3**

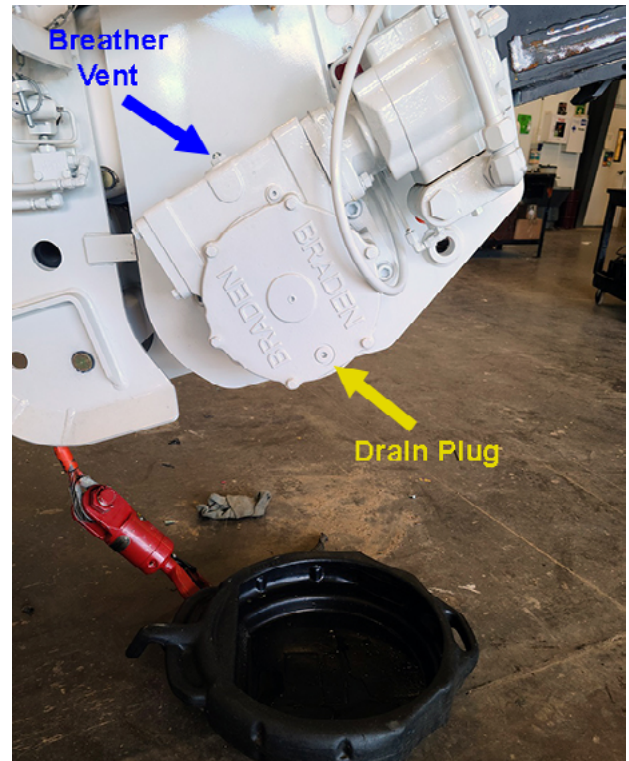


FIGURE 3

STEP 3

Replace the drain plug once all the oil is removed. **Figure 4**

STEP 4

Remove the breather vent and add 2.5 quarts of 85w/140 gear oil to the gearbox. **Figure 3**



FIGURE 4



FOR FURTHER ASSISTANCE,
CONTACT THE TEREX UTILITIES TECHNICAL SUPPORT TEAM
PHONE: **1-844-TEREX4U (1-844-837-3948)** | EMAIL: **UTILITIES.SERVICE@TEREX.COM**
