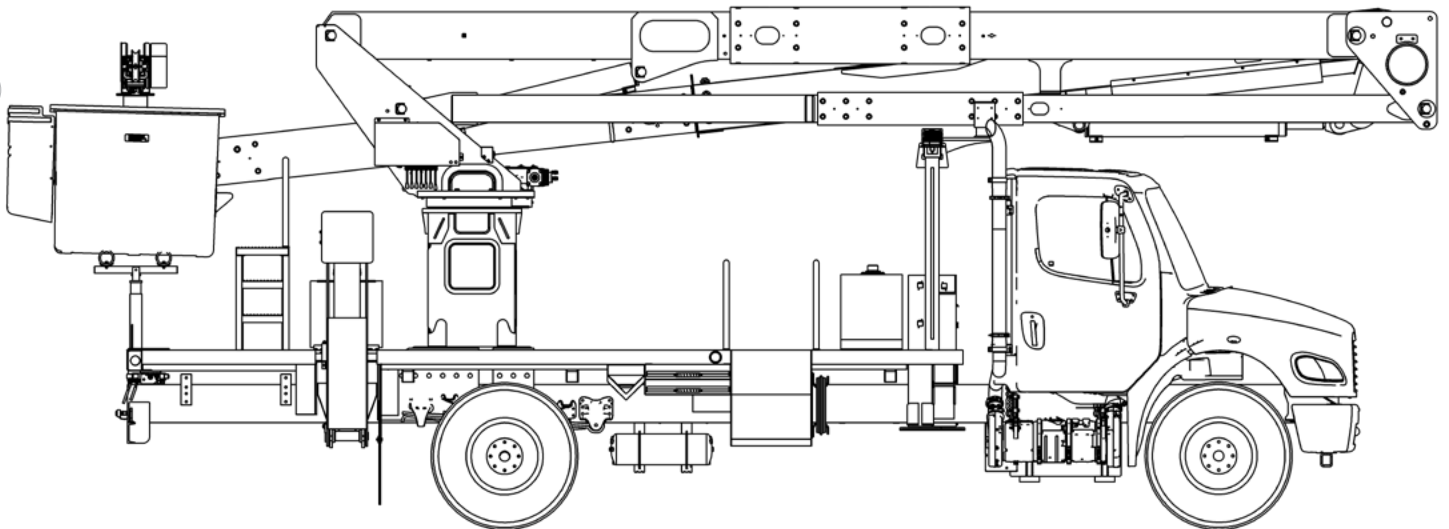




TECH TIPS

ADJUSTING LOWER BOOM SPEED

NO. 97



SERVICE CALL:
ADJUSTING LOWER BOOM SPEED



MODEL(S):
TL



TOOLS NEEDED:
BASIC HAND TOOLS
ALLEN WRENCH SET

TEREX UTILITIES TECHNICAL SUPPORT TEAM

PHONE: 1-844-TEREX4U (1-844-837-3948) | EMAIL: UTILITIES.SERVICE@TEREX.COM



DANGER

Failure to obey the instructions and safety rules in the appropriate Operator's Manual and Service Manual for your machine will result in death or serious injury.

Many of the hazards identified in the Operator's Manual are also safety hazards when maintenance and repair procedures are performed.

DO NOT PERFORM MAINTENANCE UNLESS:

- ✓ You are trained and qualified to perform maintenance on this machine.
- ✓ You read, understand and obey:
 - manufacturer's instructions and safety rules
 - employer's safety rules and worksite regulations
 - applicable governmental regulations
- ✓ You have the appropriate tools, lifting equipment and a suitable workshop.

The information contained in this Tech Tip is a supplement to the Service Manual. Consult the appropriate Service Manual of your machine for safety rules and hazards.



TECH TIP 97 | RELEASED 09.22.2022 | VERSION 1.0
©TEREX UTILITIES. ALL RIGHTS RESERVED

CONTENTS

TECH TIP #97

TOC

4

- | *Locate boom flow controls*
- | *Loosen set screw*

STEP 1 - STEP 5

5

- | *Adjust top flow control*
- | *Adjust bottom flow control*
- | *Retime lower boom*
- | *Tighten set screw*

STEP 6 - STEP 9

STEP 1

Operate the unit from the lower control to verify operation and bring the unit up to operating temperature.

STEP 2

Time the lower boom up/down from the upper controls. Compare to the speeds shown in the maintenance manual quick reference chart. The speed of the lower boom can be adjusted within the range shown in the manual.

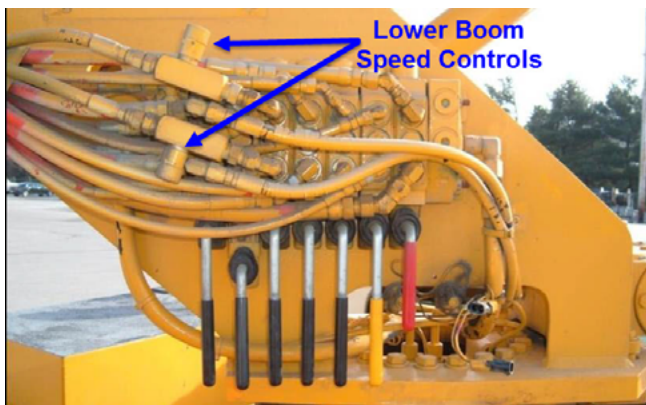
STEP 3

To adjust the speed, remove the control guard cover at the lower controls.

If the unit is equipped with Start/Stop and Throttle/Aux-Power switches, they will need to be unplugged when removing the cover.

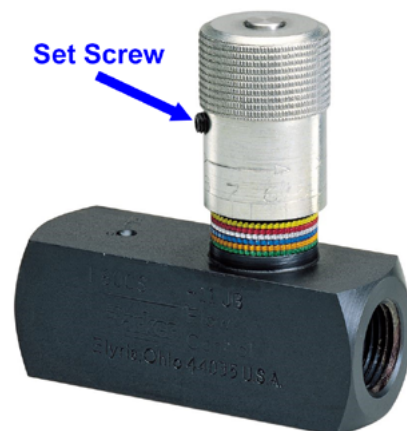
STEP 4

Locate the lower boom flow controls as shown in the picture below.



STEP 5

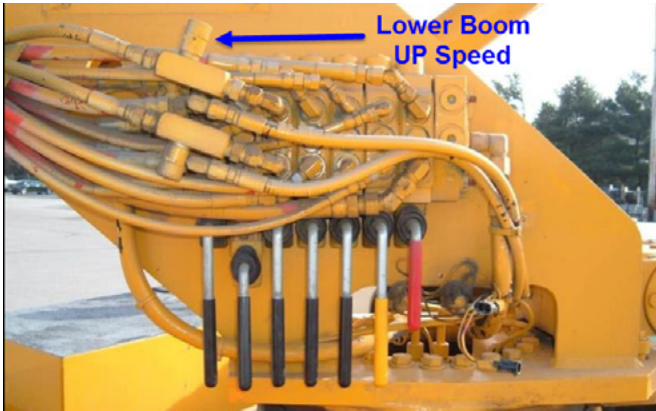
Loosen the set screw on the valve to allow adjustment.



STEP 6

Adjust the top flow control to adjust the speed of the lower boom UP.

Turning the flow control in will decrease the speed and turning the flow control out will increase the speed of the lower boom.



STEP 7

Adjust the bottom flow control to adjust the speed of the lower boom DOWN.

Turning the flow control in will decrease the speed and turning the flow control out will increase the speed of the lower boom.



STEP 8

Retime the lower boom up/down speed from the upper controls and verify that they are within the range shown in the manual.

STEP 9

Retighten set screws to prevent unintended adjustment.



FOR FURTHER ASSISTANCE,
CONTACT THE TEREX UTILITIES TECHNICAL SUPPORT TEAM
PHONE: **1-844-TEREX4U (1-844-837-3948)** | EMAIL: **UTILITIES.SERVICE@TEREX.COM**
