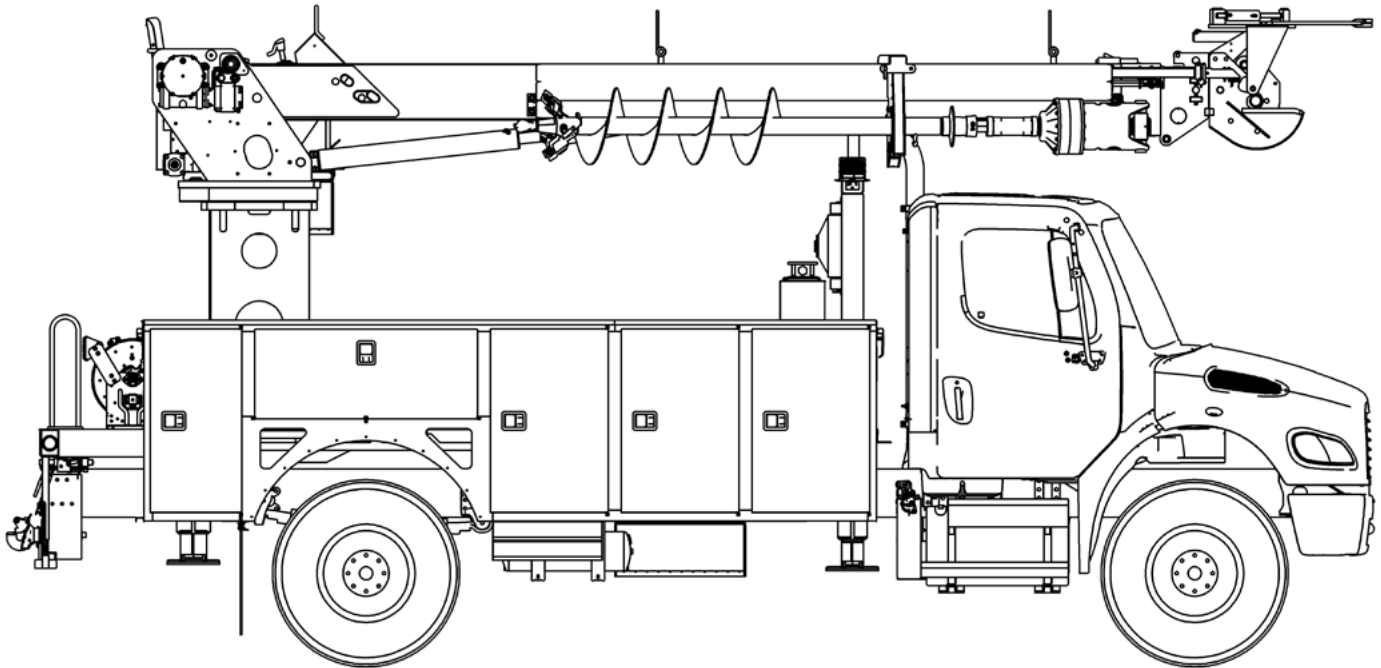




TECH TIPS

**DETERMINING THE MANUFACTURING DATE CODE FOR RADIO CONTROLS
TRANSMITTER BATTERY: P/N 65362453**

NO. 99



**SERVICE CALL:
DETERMINING THE
MANUFACTURING DATE CODE FOR
RADIO CONTROLS TRANSMITTER
BATTERY: P/N 65362453**



**MODEL(S):
DIGGER DERRICK HETRONIC
TRANSMITTERS**



**TOOLS NEEDED:
NONE**

TEREX UTILITIES TECHNICAL SUPPORT TEAM

PHONE: 1-844-TEREX4U (1-844-837-3948) | EMAIL: UTILITIES.SERVICE@TEREX.COM



DANGER

Failure to obey the instructions and safety rules in the appropriate Operator's Manual and Service Manual for your machine will result in death or serious injury.

Many of the hazards identified in the Operator's Manual are also safety hazards when maintenance and repair procedures are performed.

DO NOT PERFORM MAINTENANCE UNLESS:

- ✓ You are trained and qualified to perform maintenance on this machine.
- ✓ You read, understand and obey:
 - manufacturer's instructions and safety rules
 - employer's safety rules and worksite regulations
 - applicable governmental regulations
- ✓ You have the appropriate tools, lifting equipment and a suitable workshop.

The information contained in this Tech Tip is a supplement to the Service Manual. Consult the appropriate Service Manual of your machine for safety rules and hazards.



TECH TIP 99 | RELEASED 04.17.2023 | VERSION 1.0
©TEREX UTILITIES. ALL RIGHTS RESERVED

CONTENTS

TECH TIP #99

TOC

4

| *Locate the data label*

INTRODUCTION
STEP 1

5

EXAMPLE 1
EXAMPLE 2

INTRODUCTION

Digger Derrick Hetronic Transmitters
H1-00240B, H1-00744.1, H1-01114, H1-00787
TI17i Swing Arm Hetronic Transmitter
H31-00007.1

Note: If the transmitter label is missing the receiver will have a label also.



OVERVIEW

The transmitter batteries are a Nickel-Metal Hydride. A Nickel-Metal Hydride has two to three times the capacity of a Nickel-Cadmium battery and a life expectancy of 4 to 5 years of normal use.

Switch the battery in the transmitter for the battery in the charger every day to make sure the battery is fully charged and properly maintain the batteries. Doing a complete discharge of a battery can cause reverse polarity in one or more of the cells. The smart battery charger will not allow the batteries to be over-charged.

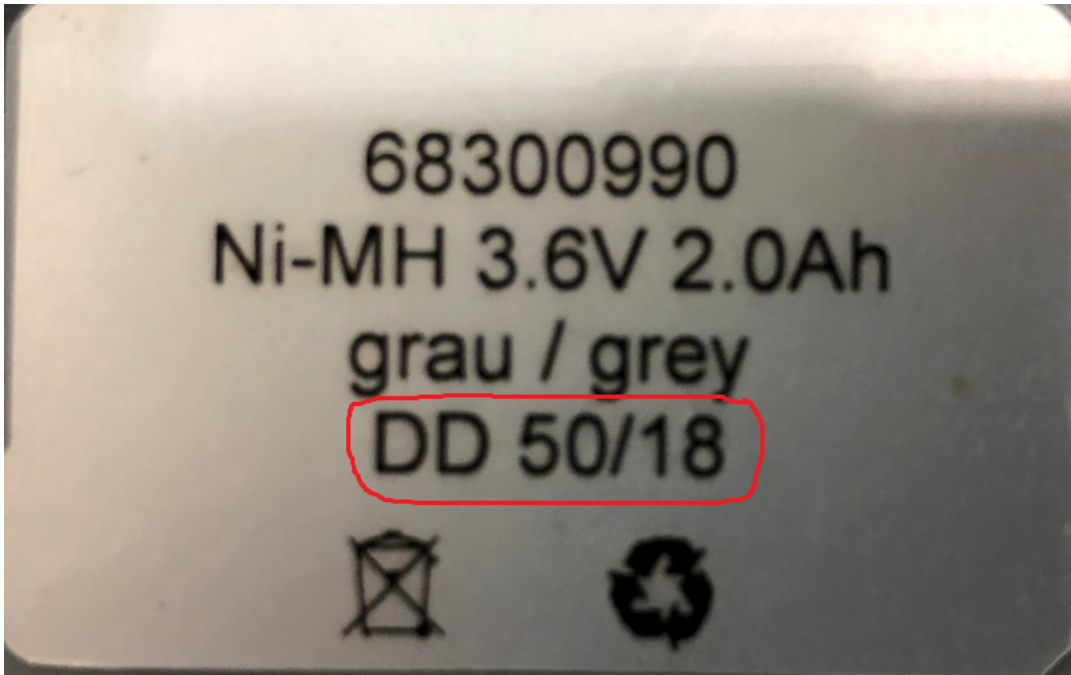
STEP 1

Locate the data label on the back of the battery.

- The first set of two numbers indicates the week that the battery was manufactured.
- The second set of numbers is the year the batteries were manufactured.

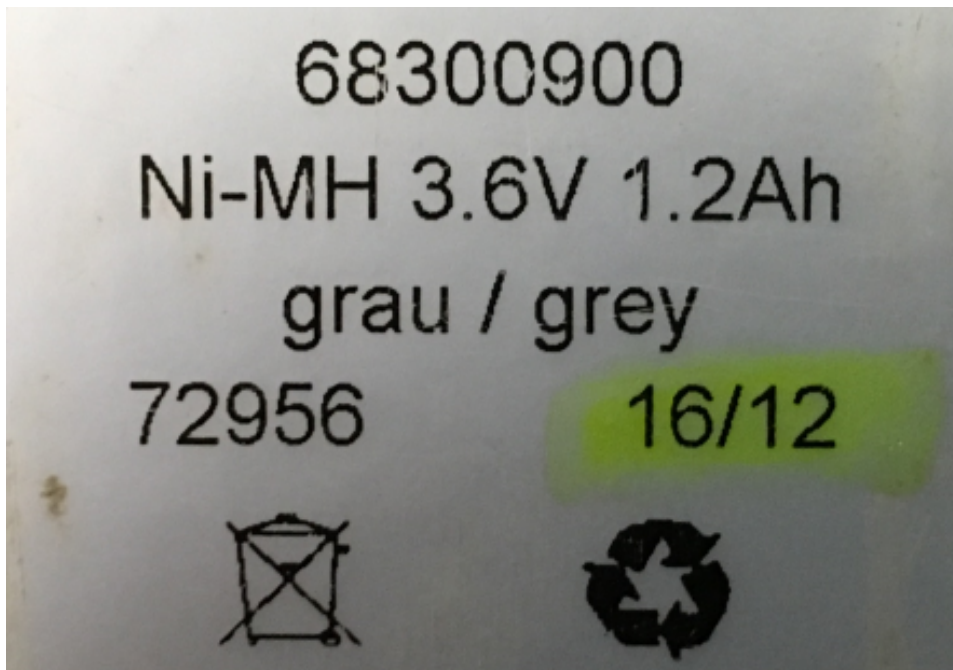
EXAMPLE 1

In the example below, the batteries were manufactured in the 50th week of 2018.



EXAMPLE 2

In the example below, the batteries were manufactured in the 16th week of 2012.





FOR FURTHER ASSISTANCE,
CONTACT THE TEREX UTILITIES TECHNICAL SUPPORT TEAM
PHONE: **1-844-TEREX4U (1-844-837-3948)** | EMAIL: **UTILITIES.SERVICE@TEREX.COM**
